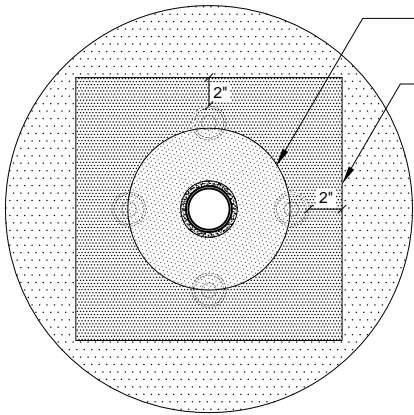


ALTERNATE INSTALLATION



SEE NOTE #2

EVERGUARD® PREMOLDED PVC BOOT

TARGET MADE FROM EVERGUARD® PVC MEMBRANE

STAINLESS STEEL CLAMP

VENT STACK

EVERGUARD® GUN GRADE SEALANT

GAF WATER BLOCK

EVERGUARD® PREMOLDED PVC BOOT

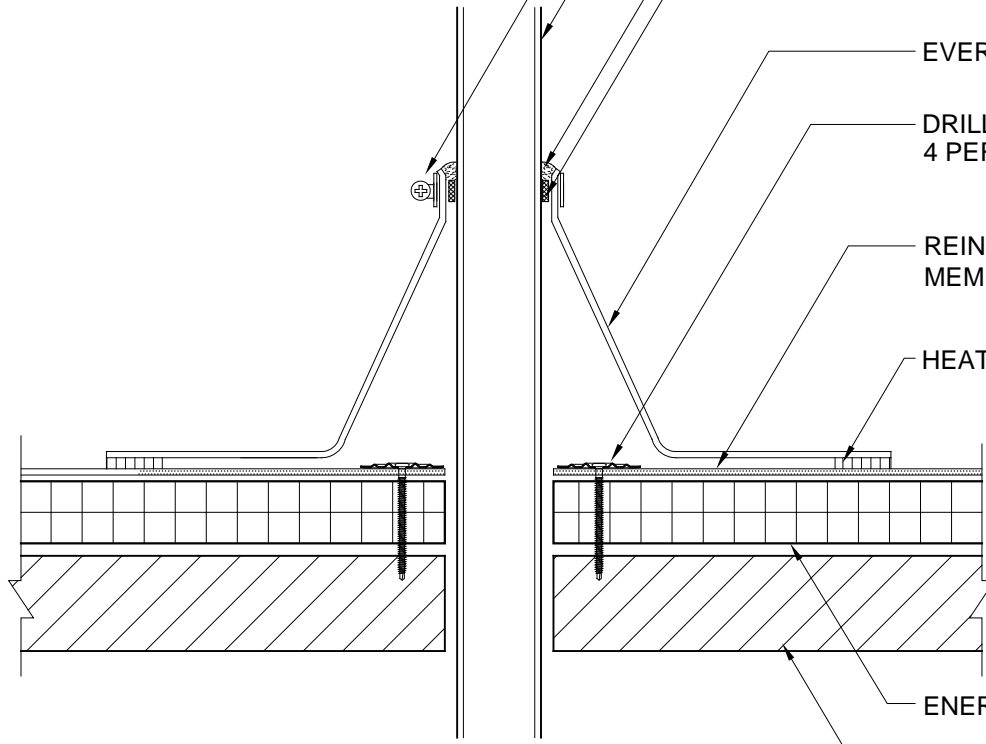
DRILL-TEC™ PLATES & SCREWS
4 PER STACK

REINFORCED EVERGUARD® PVC MEMBRANE

HEAT WELDED LAP

ENERGYGUARD™ ROOF INSULATION

ROOF DECK/SUBSTRATE



NOTE:

1. IF THE PLATES AND FASTENERS INTRUDE INTO BOOT FLANGE AREA, THEN A TARGET MUST FIRST BE INSTALLED OVER PLATES AND FASTENERS BEFORE BOOT INSTALLATION.
2. APPLY EVERGUARD® PVC CUT EDGE SEALANT TO ALL CUT REINFORCED PVC EDGES OF TARGET IF USED (REFER TO DETAIL MA/FA/BA 115).



EverGuard
SINGLE-PLY ROOFING SYSTEMS

ROOF PENETRATION SERIES

PREMOLDED PENETRATION FLASHING

PVC ONLY

DRAWING #
506B

SCALE
N.T.S.

SYSTEM
MA/FA/BA

ISSUE/ REVISION DATE
9-01-09