

COPING STONE (BY OTHERS)

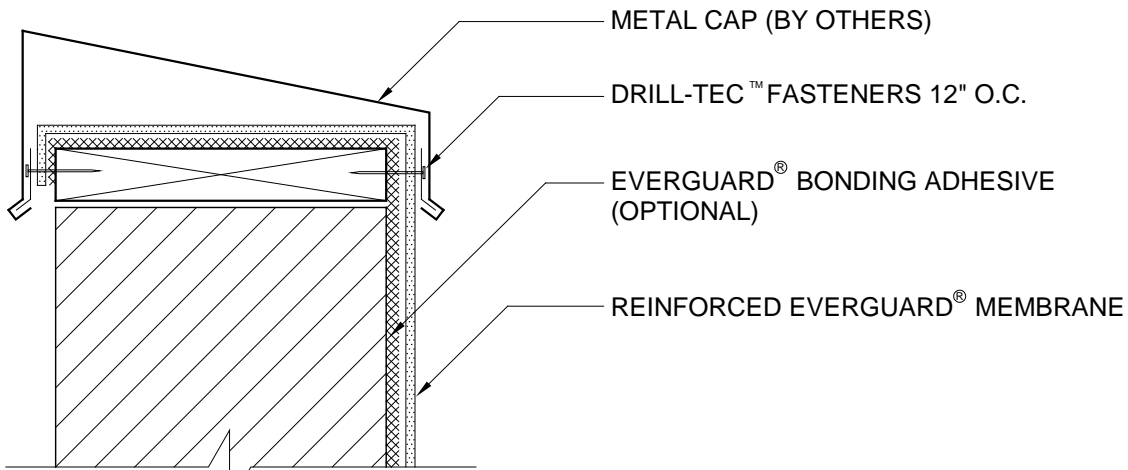
GAF WATER BLOCK

EVERGUARD® BONDING ADHESIVE

REINFORCED EVERGUARD® MEMBRANE

EVERGUARD® BONDING ADHESIVE (OPTIONAL)

4. COPING STONE TERMINATION



METAL CAP (BY OTHERS)

DRILL-TEC™ FASTENERS 12" O.C.

EVERGUARD® BONDING ADHESIVE (OPTIONAL)

REINFORCED EVERGUARD® MEMBRANE

5. CAP FLASHING TERMINATION



PARAPET WALL & CURB SERIES

TERMINATION DETAILS 4 & 5

DRAWING #

318B

SCALE

N.T.S.

SYSTEM

MA/FA/BA

ISSUE/ REVISION DATE

6-01-10