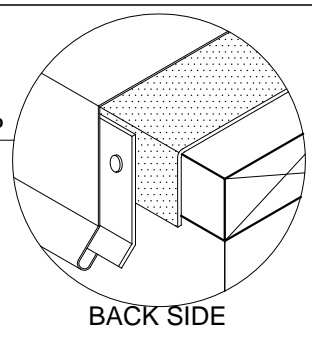
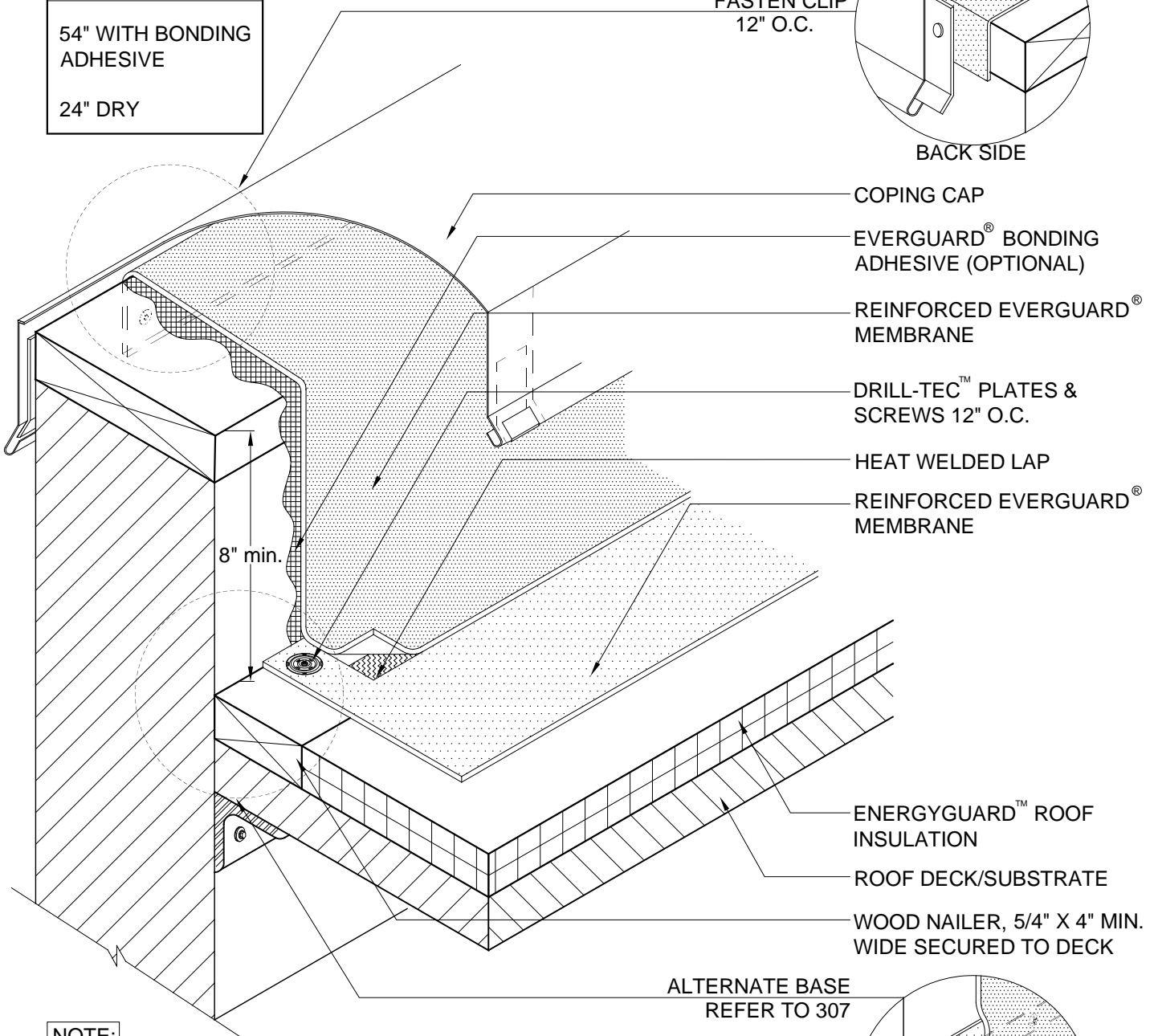


INTERMITTENT FASTENING KEY
 54" WITH BONDING ADHESIVE
 24" DRY

FASTEN CLIP
 12" O.C.

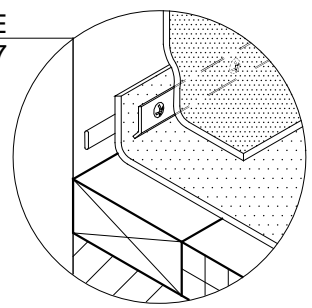


BACK SIDE



COPING CAP
 EVERGUARD® BONDING ADHESIVE (OPTIONAL)
 REINFORCED EVERGUARD® MEMBRANE
 DRILL-TEC™ PLATES & SCREWS 12" O.C.
 HEAT WELDED LAP
 REINFORCED EVERGUARD® MEMBRANE
 ENERGYGUARD™ ROOF INSULATION
 ROOF DECK/SUBSTRATE
 WOOD NAILER, 5/4" X 4" MIN. WIDE SECURED TO DECK

ALTERNATE BASE
 REFER TO 307



NOTE:

1. FOR INSULATION THICKNESS GREATER THAN 8", CONTACT GAFMC CONTRACTOR SERVICES FOR ALTERNATE MEMBRANE ATTACHMENT REQUIREMENTS. THESE METHODS MAY INCLUDE THE USE OF A HARD BOARD COVERING THE ASSEMBLY OR USE DETAIL MA/FA/BA 307.
2. PLATES & SCREWS 6" O.C. REQ'D FOR BA SYSTEMS.
3. APPLY EVERGUARD® TPO AND PVC CUT EDGE SEALANT TO ALL CUT REINFORCED TPO AND PVC EDGES (REFER TO DETAIL MA/FA/BA 115).



NEW CONSTRUCTION WITH WALL CAP DETAIL

DRAWING #
303
 SCALE
 N.T.S.

SYSTEM
MA/FA/BA
 ISSUE/REVISION DATE
 6-01-10