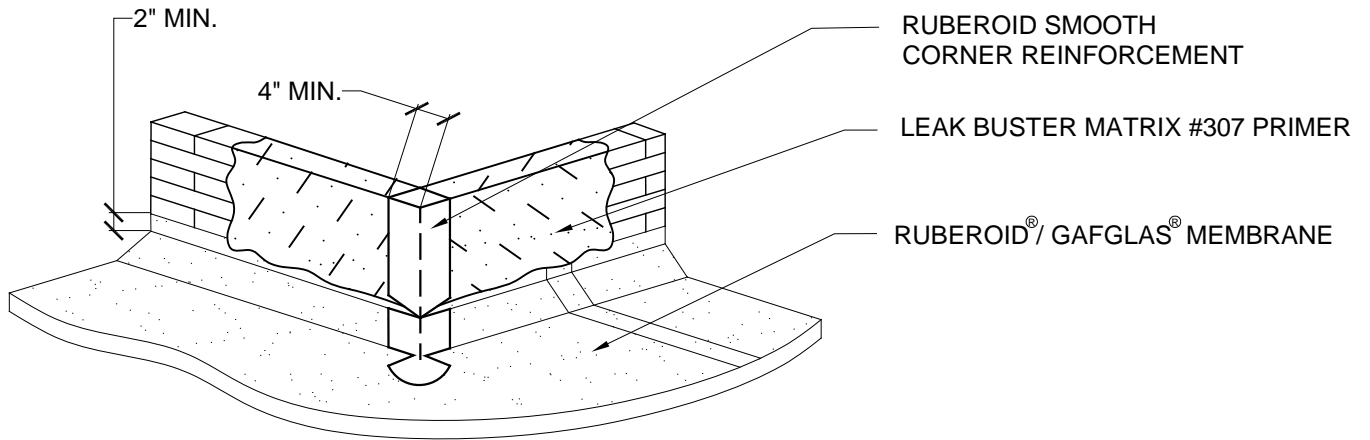
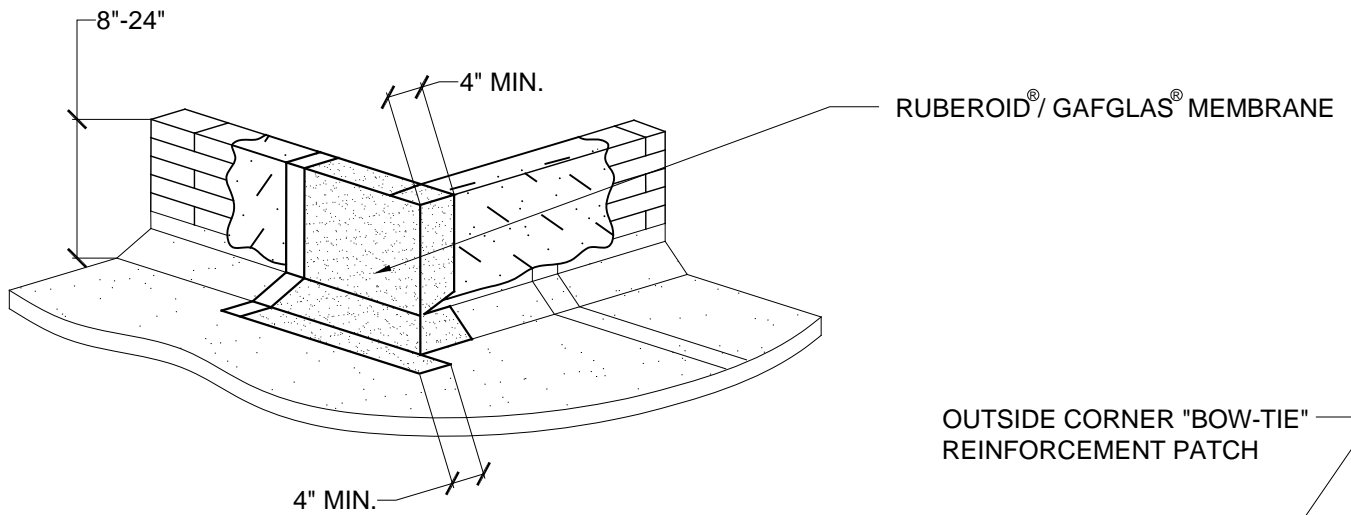


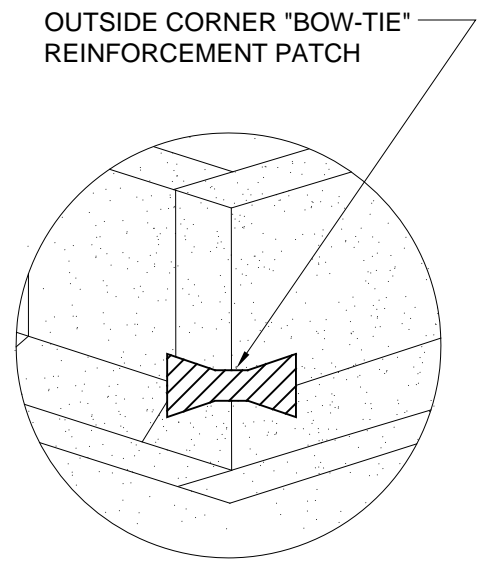
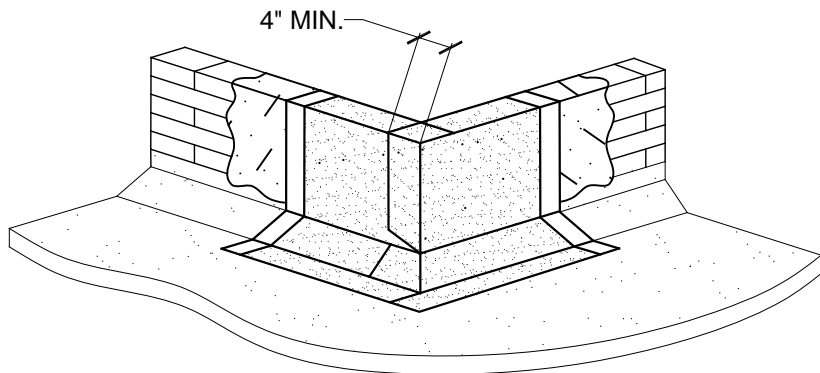
**STEP 1:**



**STEP 2:**



**STEP 3:**



**GAFGLAS<sup>®</sup>**  
 Built-Up Roofing Systems  
**RUBEROID<sup>®</sup>**  
 Modified Bitumen Roofing Systems

**OUTSIDE CORNER DETAIL**

DRAWING #

**12**

SYSTEM

**MB/BUR**

SCALE

**N.T.S.**

ISSUE/ REVISION DATE

**10-01-10**