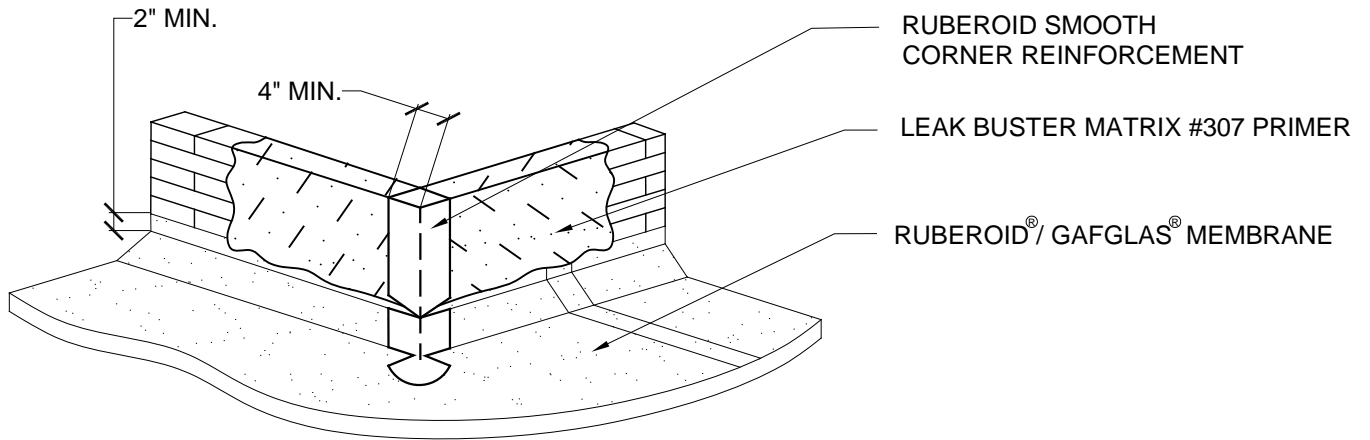
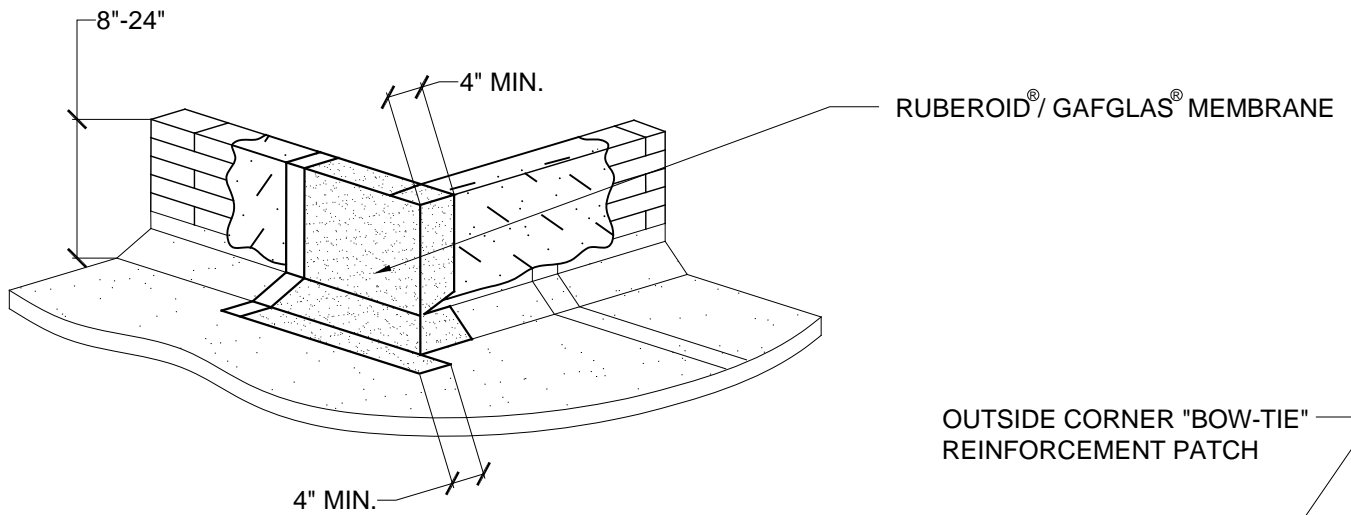


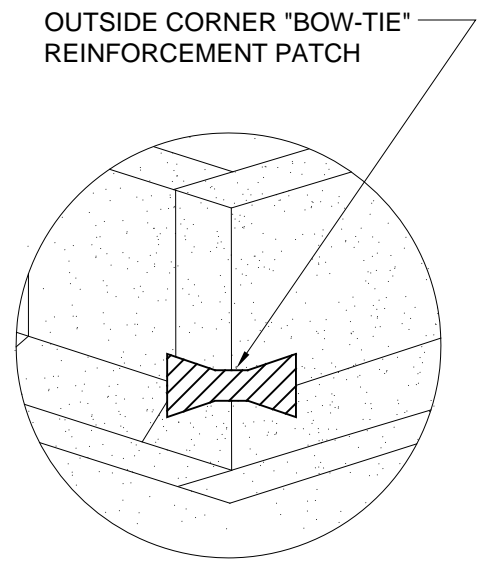
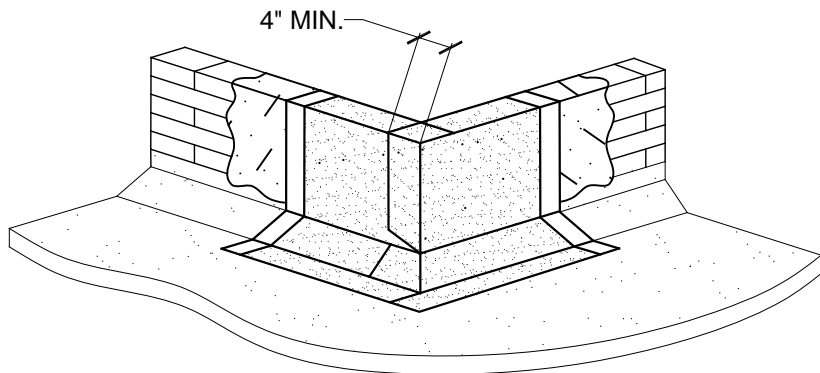
STEP 1:



STEP 2:



STEP 3:



GAFGLAS[®]
 Built-Up Roofing Systems
RUBEROID[®]
 Modified Bitumen Roofing Systems

OUTSIDE CORNER DETAIL

DRAWING #

12

SYSTEM

MB/BUR

SCALE

N.T.S.

ISSUE/ REVISION DATE

10-01-10