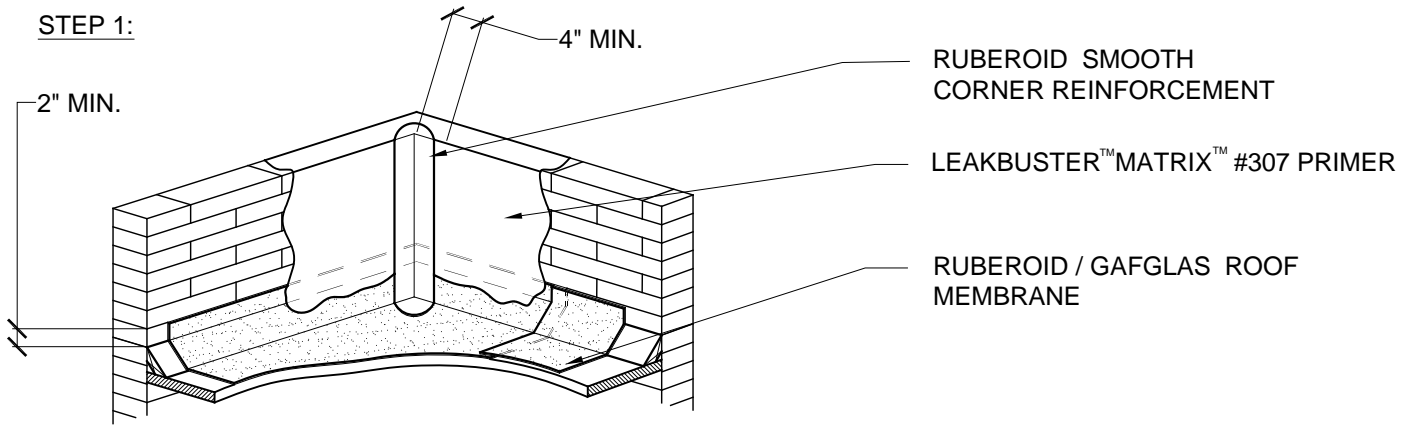
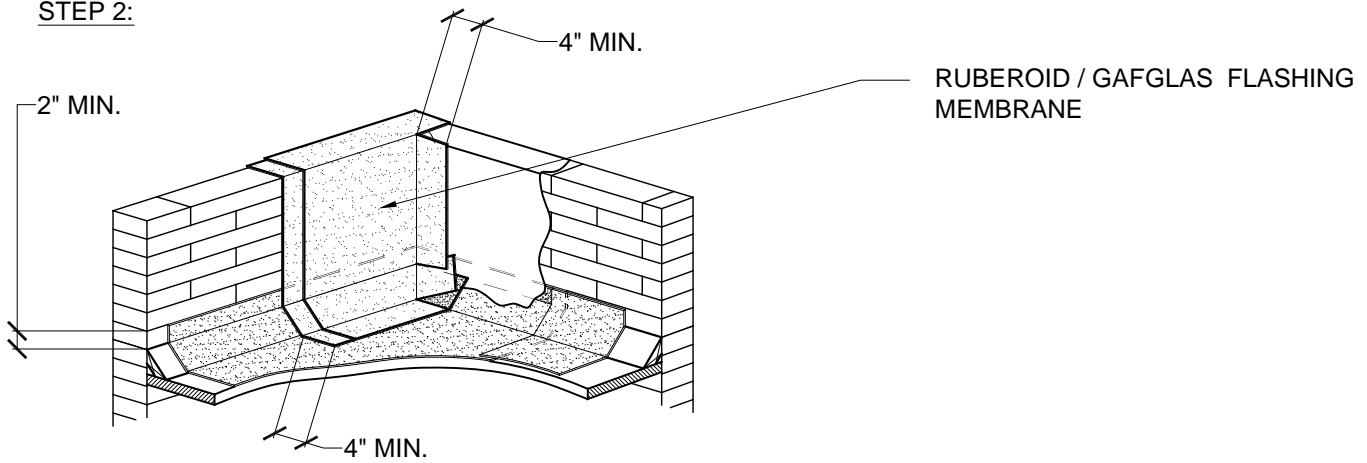


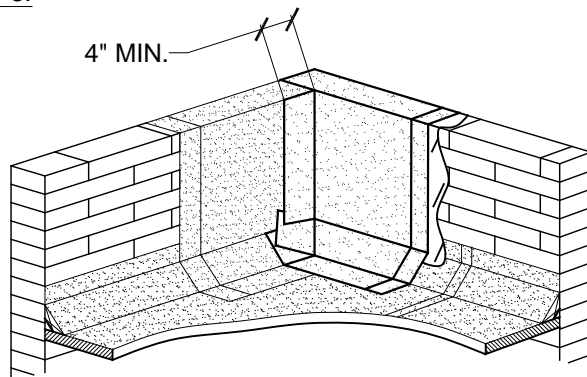
**STEP 1:**



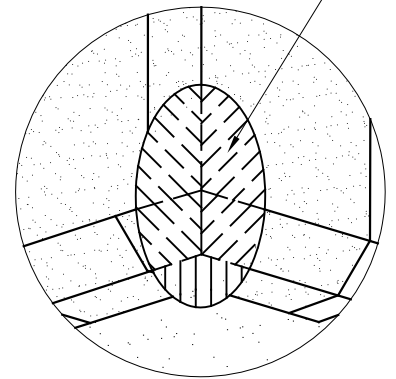
**STEP 2:**



**STEP 3:**



INSIDE CORNER "FOOTBALL"  
REINFORCEMENT PATCH



**GAFGLAS®**  
Built-Up Roofing Systems  
**RUBEROID®**  
A Modified Bitumen Roofing System

**INSIDE CORNER DETAIL**

DRAWING #

11

SYSTEM

MB/BUR

SCALE

N.T.S.

ISSUE/ REVISION DATE

10-01-10