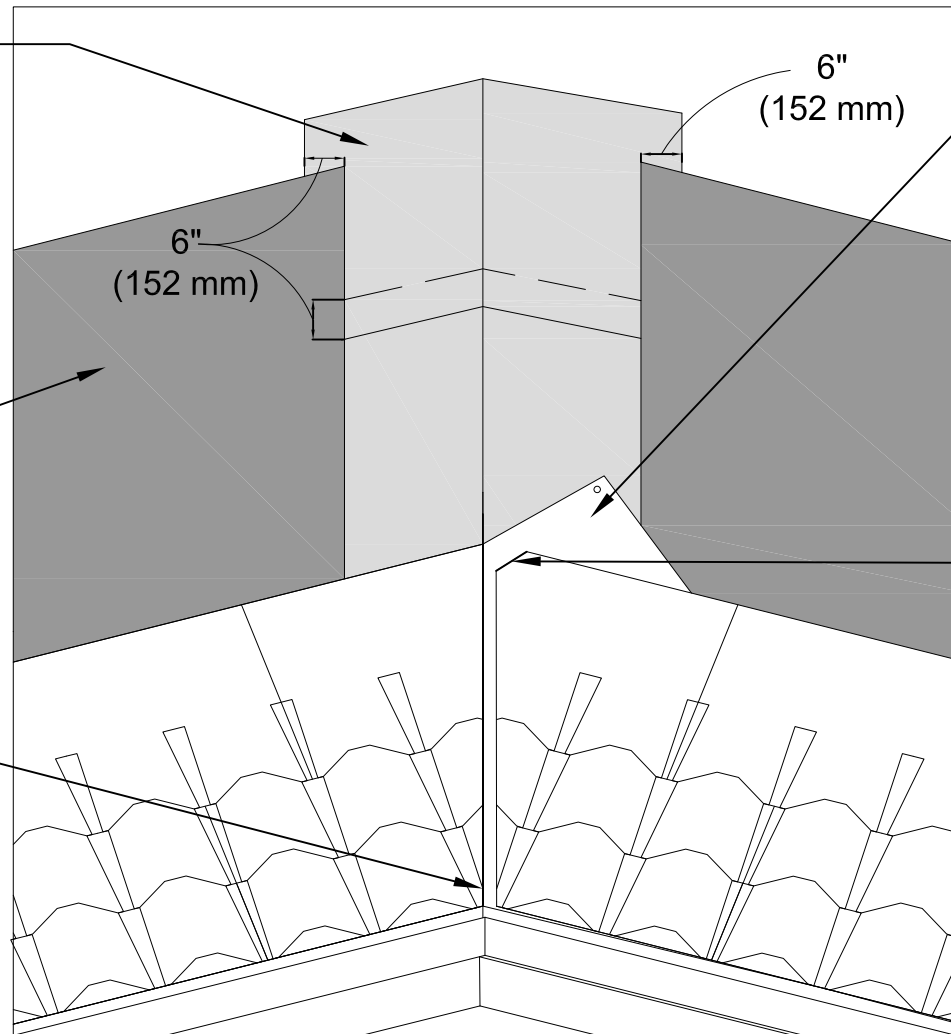


Center full width roll of GAF leak barrier. Do not place fasteners within 6" (152mm) of center line. Horizontal laps must be at least 6" (152mm).

Carry GAF underlayment at least 6" (152mm) over GAF leak barrier.

Extend starter strip across valley at least 12" (305mm) and weave with opposite side starter strip shingle.



Extend end of shingle at least 12" (305mm) beyond valley center line. Nail, putting extra fastener in top corner of shingle.

Overlying shingles must be cut so they are 2" (52mm) away from valley center line. Clip shingle corners 45° to keep water flow in the valley center. Seal the valley shingles to each other using asphalt plastic cement.



1361 Alps Rd.
Wayne, NJ 07470
www.gaf.com

BRAND SERIES

**MONACO
SERIES**
Lifetime Shingles

REVISION DATE

1-01-12

SCALE

N.T.S

CLOSED VALLEY DETAIL

DETAIL NUMBER

10

DETAIL REFERENCE

SS-MON