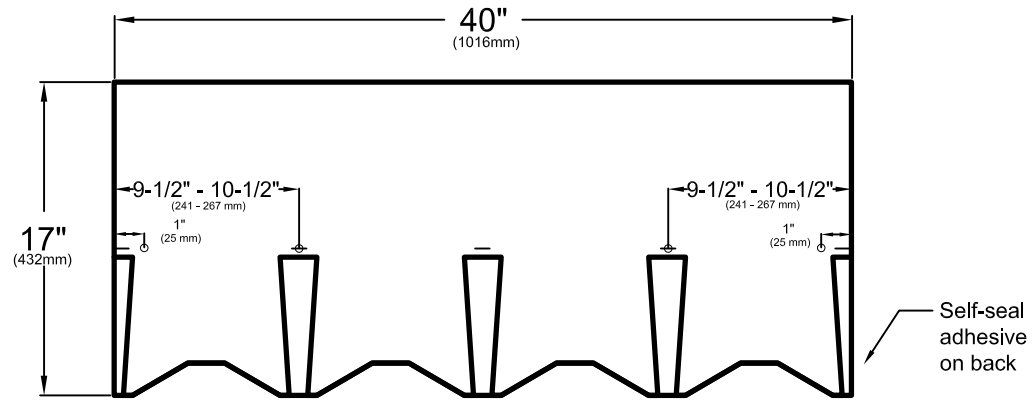
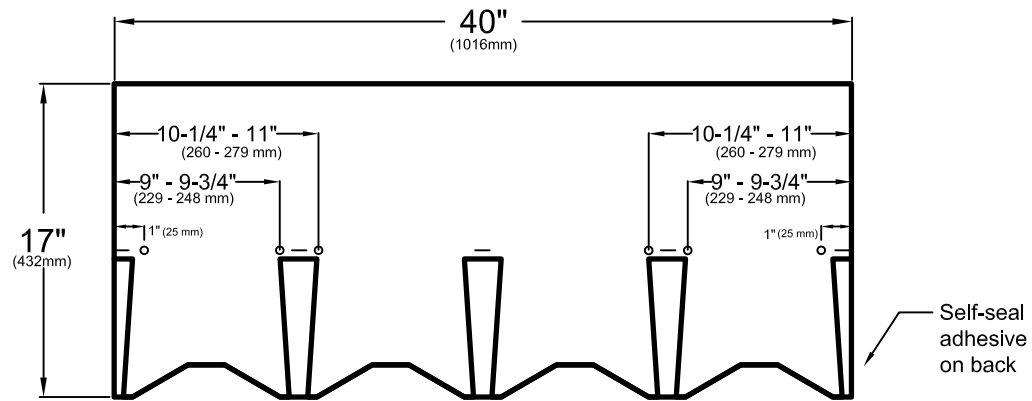


These shingles MUST be nailed a nominal 8" (203mm) from bottom of shingle, above the cut outs, as shown. Nails must not be exposed.



STANDARD NAILING PATTERN - four nails per shingle



ENHANCED NAILING PATTERN - six nails per shingle*

* required by some local codes and required for enhanced wind coverage on certain products. See limited warranty for details.



1361 Alps Rd.
Wayne, NJ 07470
www.gaf.com

BRAND SERIES
**MONACO
SERIES**
Lifetime Shingles

REVISION DATE
8-1-13

SCALE
N.T.S

SHINGLE NAIL PLACEMENT DETAILS

DETAIL NUMBER

03

DETAIL REFERENCE
SS-MON