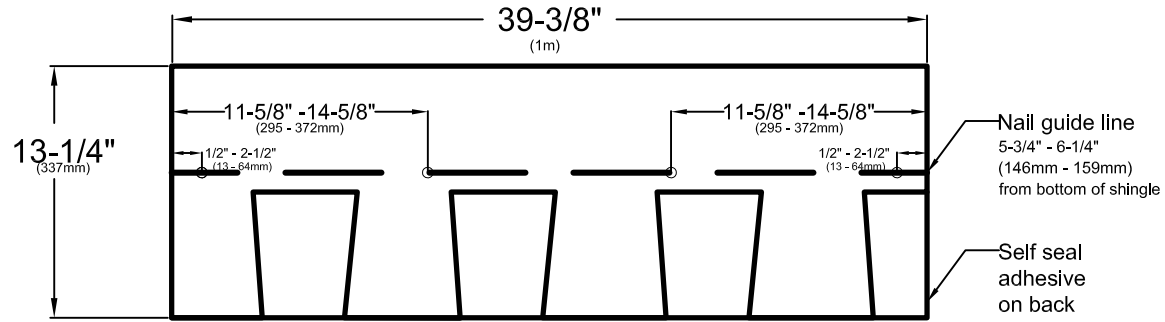
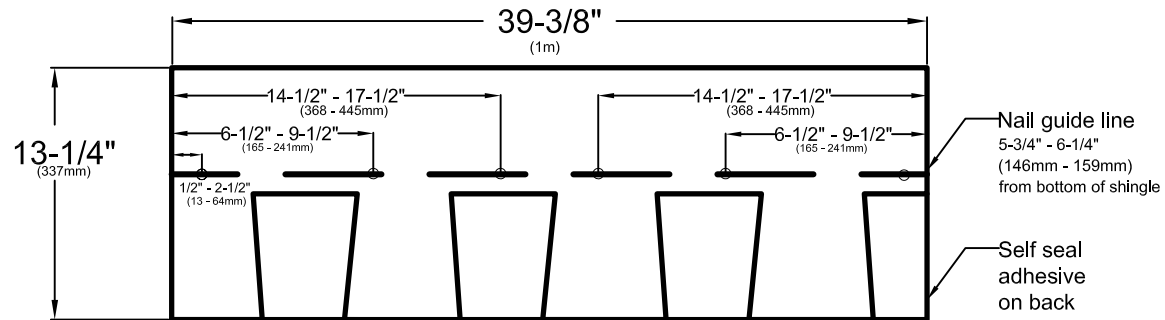


These shingles MUST be nailed a nominal 6" (152mm) from bottom of shingle, above the cut outs, as shown. Nails must not be exposed.



STANDARD NAILING PATTERN - four nails per shingle



ENHANCED NAILING PATTERN - six nails per shingle*

* required by some local codes and required for enhanced wind coverage on certain products. See limited warranty for details.



1361 Alps Rd.
Wayne, NJ 07470
www.gaf.com

BRAND SERIES
TIMBERLINE
SERIES
Lifetime Shingles

REVISION DATE
1-01-12

SCALE
N.T.S

NAIL PLACEMENT DETAIL
Metric Size Shingles

DETAIL NUMBER

03a

DETAIL REFERENCE

SS-TS