

Read the full installation instructions before starting. Comply with all necessary building codes.

Special tools / materials required (not supplied):

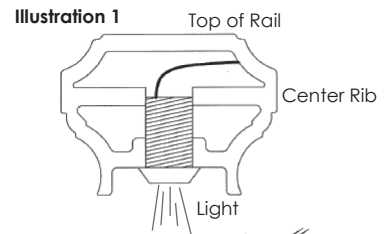
- Bendable wire fish/hook
- 11/16" Drill Bit
- 18/2 outdoor wire
- Weatherproof wire nuts and electrical tape
- Transformer (sold separately)

*** Standard tools also required**

Note: RailWays NiteScapes LED lights are designed to be installed in the top rails of RailWays Traditional or Signature Series Railing Systems. They can also be suited for other decking applications; please call Technical Services at 866-322-7452 for more details. No more than 4 lights should be installed in either a 6 ft or 8 ft top rail. NEVER install lights at the center point of a top rail. A maximum of 80 lights can be connected to one transformer.

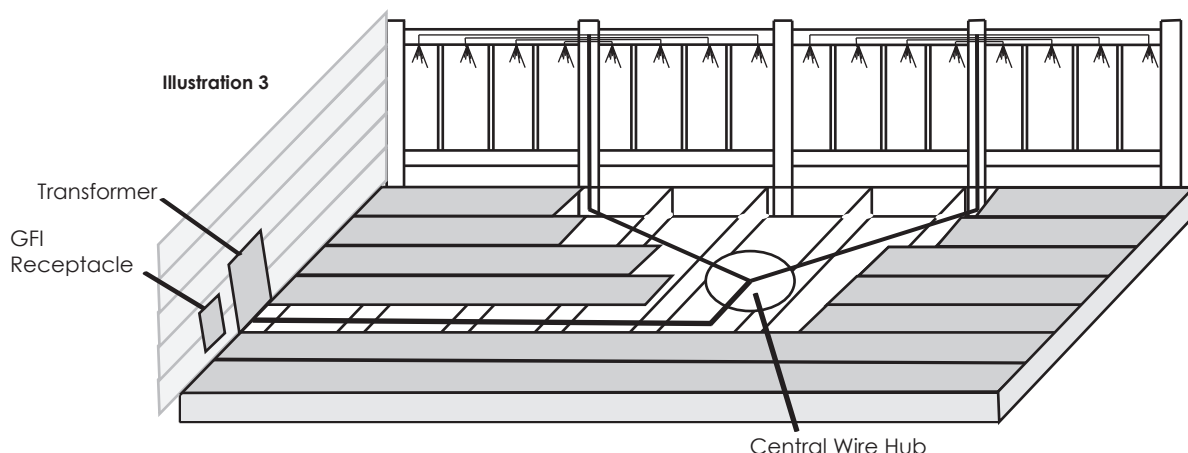
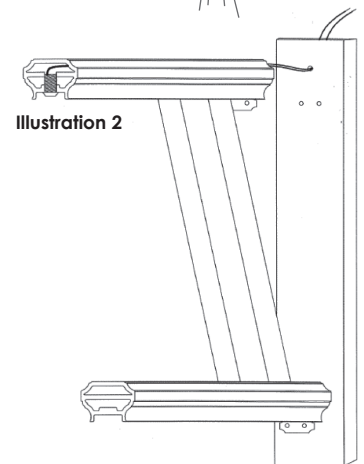
Fixture Locations:

1. Determine location of lights within the underside of the top rail. Using a 11/16" drill bit, pre-drill each lighting location. Depending on the railing profile, you might have to drill through the center rib (see Illustration 1). DO NOT drill through top of railing. (For a snug fit, wrap electrical tape around threads on the light fixture and insert into hole.)



Wiring for Railing*:

2. Take the wire lead for each light and snake it through the railing using the wire fish/hook. If the railing has a center rib, snake the wire through the void closest to the top of the railing.
3. Complete the assembly of the top rail to the balusters. At the rail and post connection, drill a 1/2" hole and feed wires through hole (see Illustration 2). Complete rail attachment to post.
4. Find a centralized location on the substructure at an equal distance to each post location. This will be known as the central wire hub (see Illustration 3). Run 18/2 outdoor wire from the hub to each post and feed upwards through the post sleeve.



5. At the top of each post, attach the wires from the rail lights to the 18/2 wire coming from the central wire hub. (Always connect red wires to red and black wires to black.) Secure the connection using weather proof wire nuts and electrical tape. Next, install post caps.
6. Mount transformer near outdoor GFI receptacle. *****WARNING – DO NOT PLUG IN AT THIS TIME *****. Secure wire lead to transformer and feed beneath substructure. Run 18/2 wire from transformer wire lead to central wire hub and make connections (following the instructions in Step 5).
7. Plug in Transformer to GFI receptacle.

Note: This transformer provides constant power (lights will always be on). If you require or prefer to have an optional timer or photo-electric eye, it can be purchased separately and installed between the GFI outlet and transformer.

***Wire run from transformer to post top connection CANNOT exceed 100 ft. If longer run is needed, contact Technical Services at 866-322-7452.**

The GAF-Elk RailWays® NiteScapes™ Lighting Limited Warranty

GAF-Elk warrants to you, the original property owner/consumer (i.e., not a builder or installer) of RailWays NiteScapes Lighting that your RailWays NiteScapes Lighting will remain free from manufacturing defects that adversely affect its performance during the warranty term.

- The **LED (Light Emitting Diode) and other components in the 3 Warm White LED Bulkhead Lights** are warranted for three years from the date of installation.
- **Transformer** is warranted for a period of one year from the date of installation.

Your Sole and Exclusive Remedy

GAF-Elk will repair or replace any defective RailWays NiteScapes Lighting component, or reimburse you for the reasonable cost to repair or replace the component. Decisions as to the extent of repair or replacement required, and the reasonable cost of such repair or replacement, will be made solely by GAF-Elk.

THIS WARRANTY IS EXCLUSIVE AND REPLACES ALL OTHER WARRANTIES, WHETHER EXPRESS OR IMPLIED, INCLUDING THE IMPLIED WARRANTIES OF MERCHANTABILITY AND FITNESS FOR A PARTICULAR PURPOSE. This written warranty is your exclusive warranty from GAF-Elk and represents the **SOLE REMEDY** available to any owner of RailWays NiteScapes Lighting. GAF-ELK WILL NOT BE LIABLE IN ANY EVENT FOR CONSEQUENTIAL, PUNITIVE, SPECIAL, INCIDENTAL, OR OTHER SIMILAR DAMAGES OF ANY KIND. Some jurisdictions do not allow the exclusion or limitation of incidental or consequential damages so the above exclusions or limitations may not apply to you.

Limitations on Coverage

This limited warranty does not cover damages resulting from anything other than an inherent manufacturing defect in your lighting, such as:

- (a) Application of your Railways NiteScapes Lighting not in strict accordance with GAF-Elk's printed application instructions or building codes, or use in an application not recommended by GAF-Elk.
- (b) Damages resulting from causes beyond normal wear and tear, including but not limited to (i) acts of God, such as earthquakes, flooding, lightning, hail, hurricanes, tornadoes or windstorms, or (ii) physical abuse, accident or neglect

Claims: What You Must Do

To file a claim, you must send a notice in writing, together with proof of purchase, proof of application date and the defective product (shipping costs paid by you) to: GAF-Elk, 9806 Lackman, Lenexa, KS 66129. Within a reasonable time after proper notification, GAF-Elk will evaluate your claim and resolve it in accordance with this Warranty.

Modification of Warranty

This Limited Warranty may not be changed or modified except in writing, signed by an officer of GAF-Elk. This Warranty gives you specific legal rights, and you may have other rights which vary from jurisdiction to jurisdiction. (NOTE: Warranty subject to change. For current information, visit www.gaf.com or write to GAF-Elk, 9806 Lackman, Lenexa, KS 66129.)

Effective Date

This Limited Warranty is effective for GAF-Elk RailWays NiteScapes Lighting installed after April 1, 2008.

