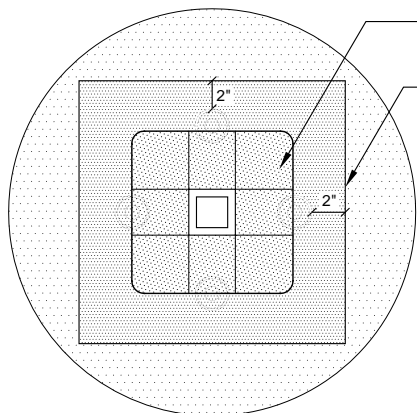
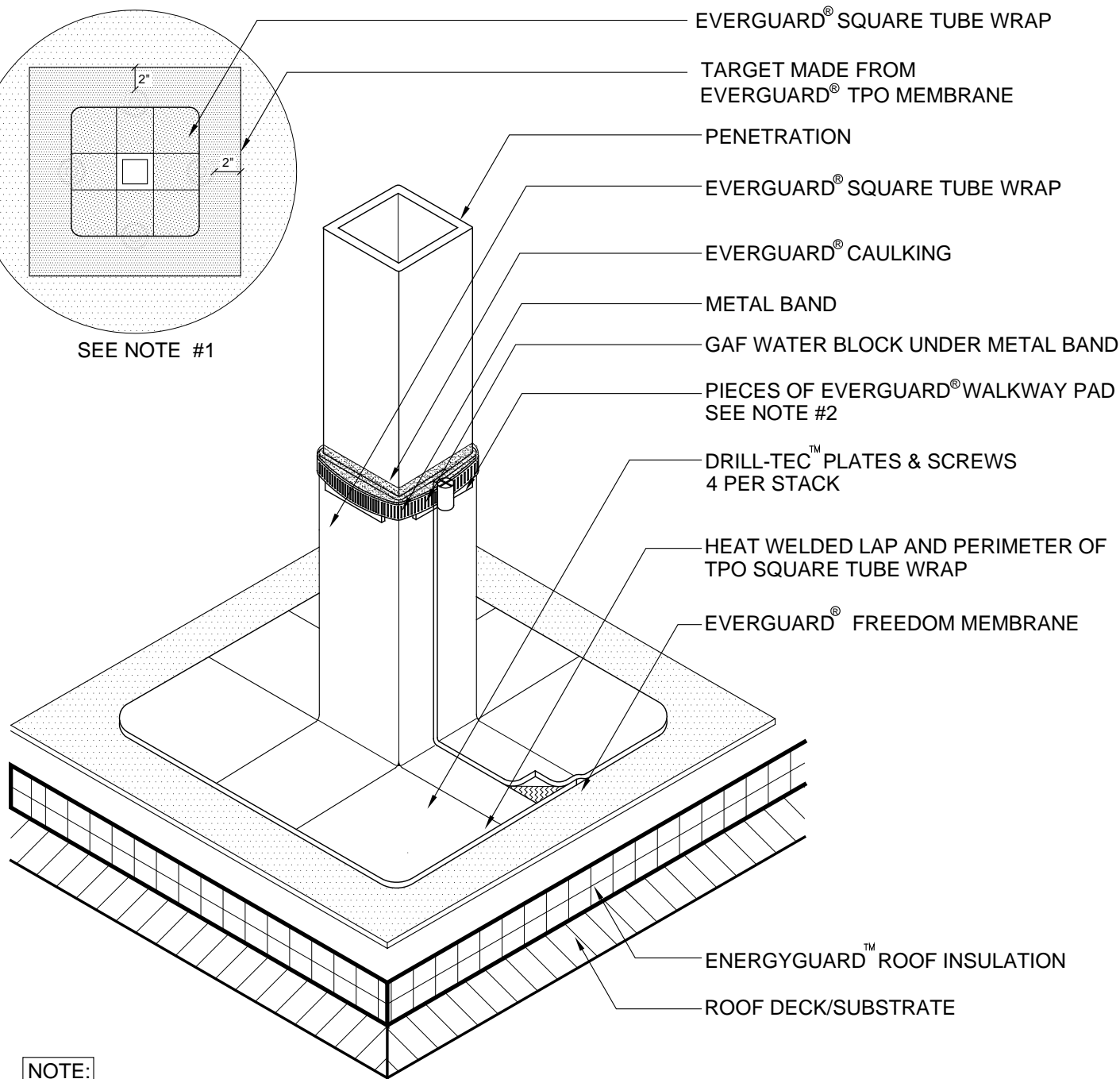


ALTERNATE INSTALLATION



SEE NOTE #1



NOTE:

1. IF THE PLATES AND FASTENERS INTRUDE INTO BOOT FLANGE AREA, THEN A TARGET MUST FIRST BE INSTALLED OVER PLATES AND FASTENERS BEFORE BOOT INSTALLATION.
2. IF A TIGHTER FIT IS REQUIRED AT THE TOP OF THE WRAP, INSERT SLIVERS OF WALKWAY PAD BETWEEN THE BAND AND THE MEMBRANE ON ALL FOUR SIDES.
3. APPLY EVERGUARD® TPO CUT EDGE SEALANT TO ALL CUT REINFORCED TPO EDGES (REFER TO DETAIL FD 115) AND ALL RAPIDSEAM™ SEAMS.



ROOF PENETRATION SERIES

SQUARE TUBE WRAP

HEATWELD & RAPIDSEAM

DRAWING #

527

SCALE

N.T.S.

SYSTEM

FD

ISSUE/ REVISION DATE

3-1-10