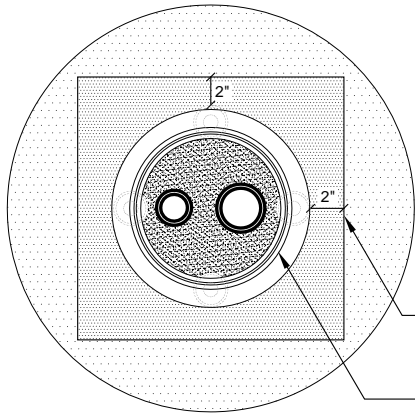


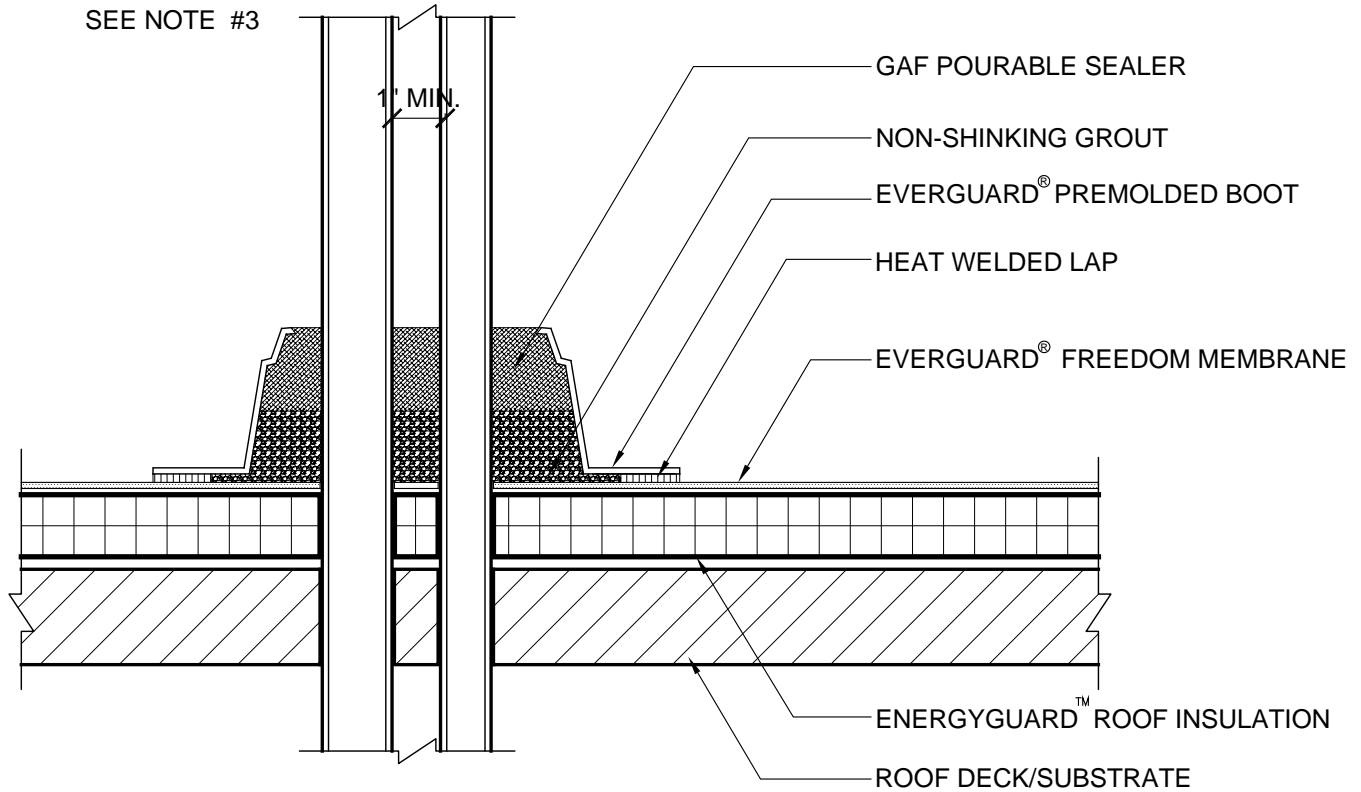
ALTERNATE INSTALLATION



TARGET MADE FROM
EVERGUARD® TPO MEMBRANE

EVERGUARD® PREFORMED VENT BOOT

SEE NOTE #3



GAF POURABLE SEALER

NON-SHINKING GROUT

EVERGUARD® PREMOLDED BOOT

HEAT WELDED LAP

EVERGUARD® FREEDOM MEMBRANE

ENERGYGUARD™ ROOF INSULATION

ROOF DECK/SUBSTRATE

NOTE:

1. TO MAKE A SEAM ON RAPID SEAM™ WITHOUT RAPID SEAM™ PRESENT, YOU MUST USE GAF CLEANER AS WELL AS GAF PRIMER TO PREP THE AREA.
2. EXISTING PROJECTION MUST BE CLEANED AND FREE OF INSULATING MATERIALS .
3. POURABLE SEALER MOUNTED TO SHED WATER (MAX 2" DEPTH), REMAINDER OF POCKET MAY BE FILLED WITH A NON-SHRINKING GROUT.
4. DO NOT USE OVER EXISTING PENETRATION POCKETS.
5. DO NOT USE WHEN SERVICE LINE TEMP. EXCEEDS 140°F.
6. EVERGUARD® TPO PRIMER REQ. ON PENETRATIONS AND MEMBRANE INSIDE OF PENETRATION POCKET.
7. APPLY EVERGUARD® TPO CUT EDGE SEALANT TO ALL CUT REINFORCED TPO EDGES (REFER TO DETAIL FD 115) AND ALL RAPIDSEAM™ SEAMS.



EverGuard® Freedom
Self-Adhering Roofing System

PREMOLDED PENETRATION FLASHING

ROOF PENETRATION
SERIES

HEATWELD & RAPIDSEAM

DRAWING #

523

SYSTEM

FD

SCALE

N.T.S.

ISSUE/ REVISION DATE

3-1-10