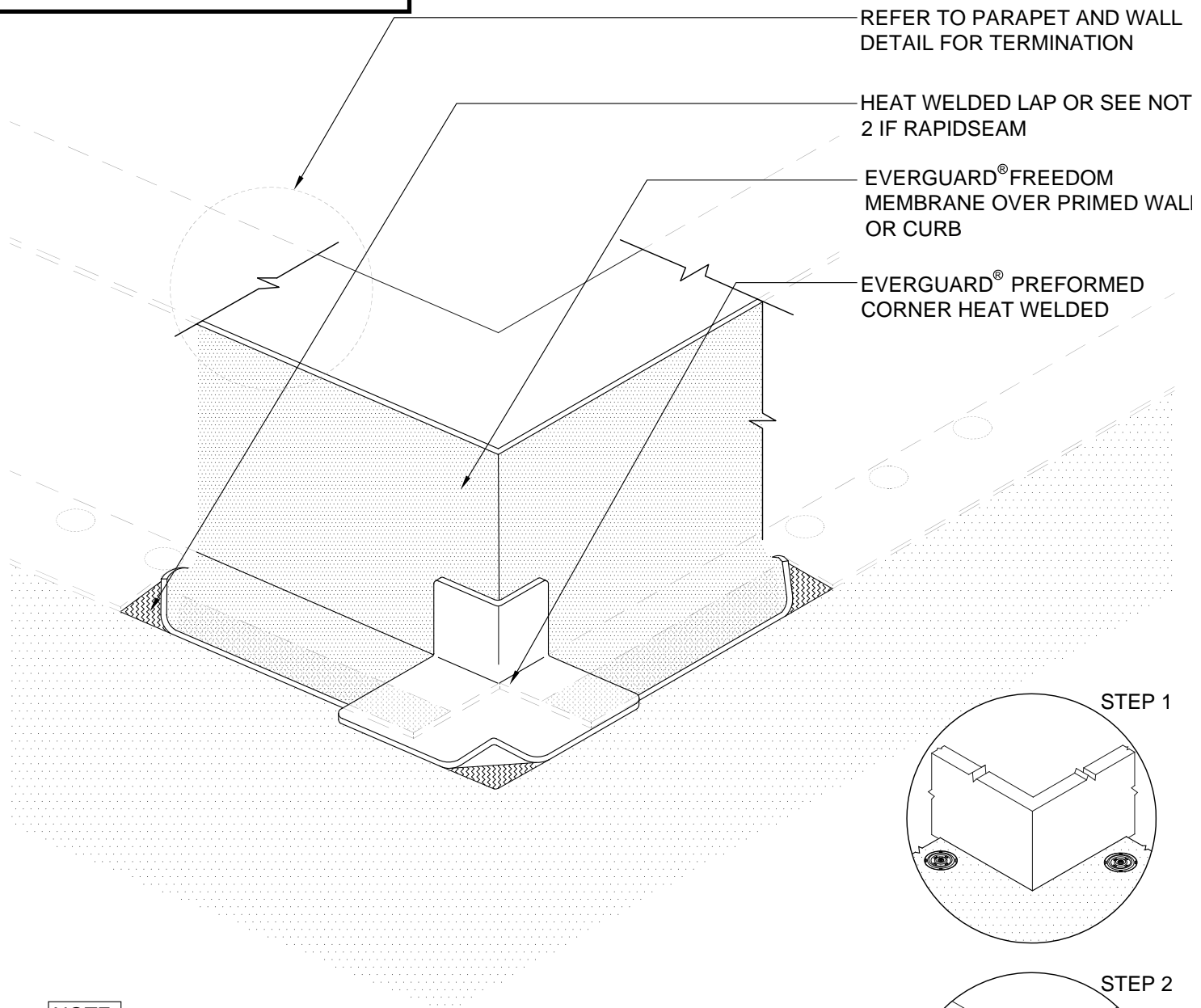


**RAPID SEAM™ MAX 10 YR GUARANTEE**

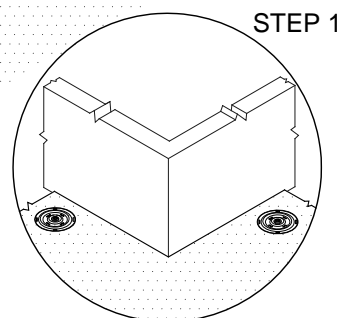


REFER TO PARAPET AND WALL  
DETAIL FOR TERMINATION

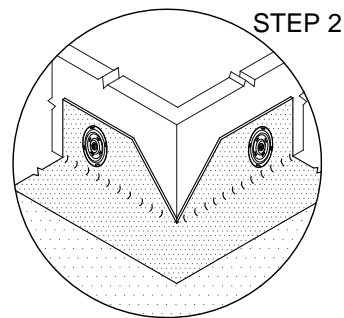
HEAT WELDED LAP OR SEE NOT  
2 IF RAPIDSEAM

EVERGUARD® FREEDOM  
MEMBRANE OVER PRIMED WALL  
OR CURB

EVERGUARD® PREFORMED  
CORNER HEAT WELDED



STEP 1



STEP 2

**NOTE:**

1. OUTSIDE CORNERS MAY ALSO BE FIELD FABRICATED USING UNREINFORCED MEMBRANE.
2. BEGIN INSTALLATION OF FASTENING PLATES APPROXIMATELY 6" (150 mm). FROM CORNER.
3. KEEP FASTENERS BACK FROM CORNER 6" MAX. IN BOTH HORIZONTAL AND VERTICAL APPLICATIONS
4. TO MAKE A SEAM ON RAPID SEAM™ WITHOUT RAPID SEAM™ PRESENT, YOU MUST USE GAF CLEANER AS WELL AS EVERGUARD® TPO PRIMER TO PREP THE AREA.
5. APPLY EVERGUARD® TPO CUT EDGE SEALANT TO ALL RAPID SEAM EDGES (REFER TO DETAIL FD 115).

ALTERNATE  
WALL/CURB ATTACHMENT



PARAPET WALL  
& CURB SERIES

**OUTSIDE CORNER REINFORCEMENT -  
PREFORMED CORNER DETAIL**

HEATWELD & RAPIDSEAM

DRAWING #  
**329A**

SCALE  
N.T.S.

SYSTEM  
**FD**

ISSUE/ REVISION DATE  
**3-1-10**