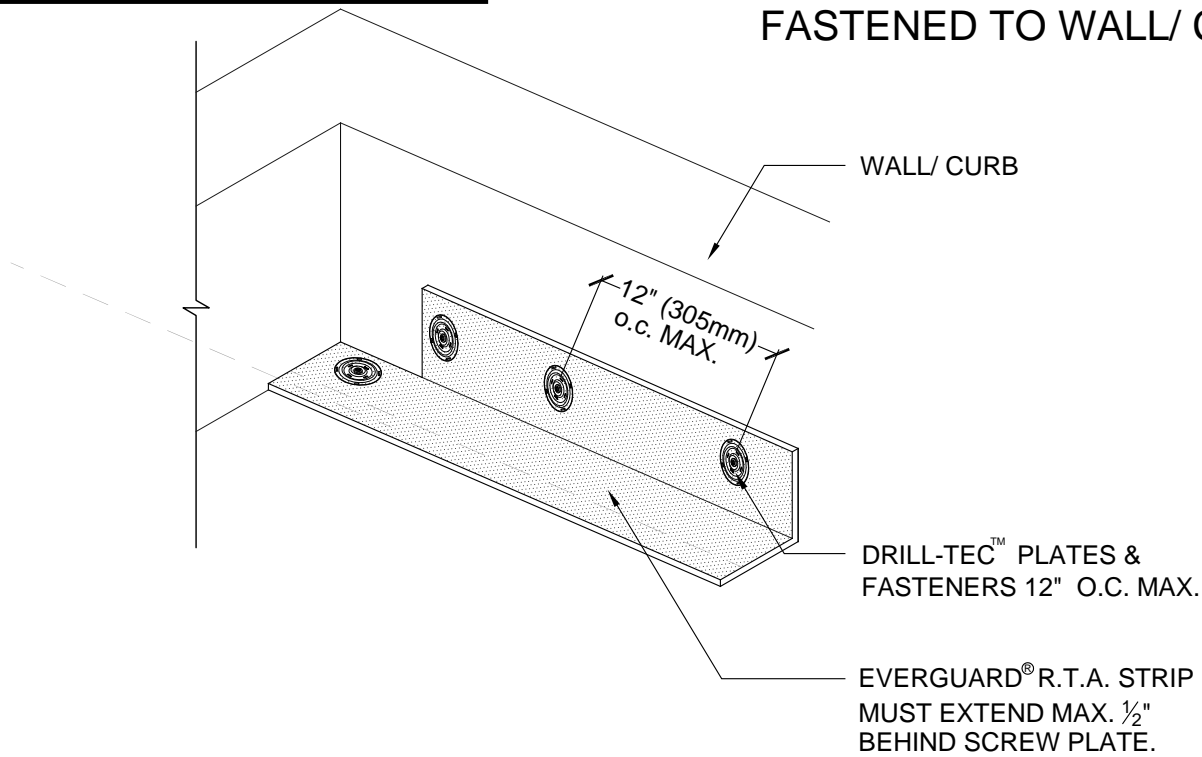
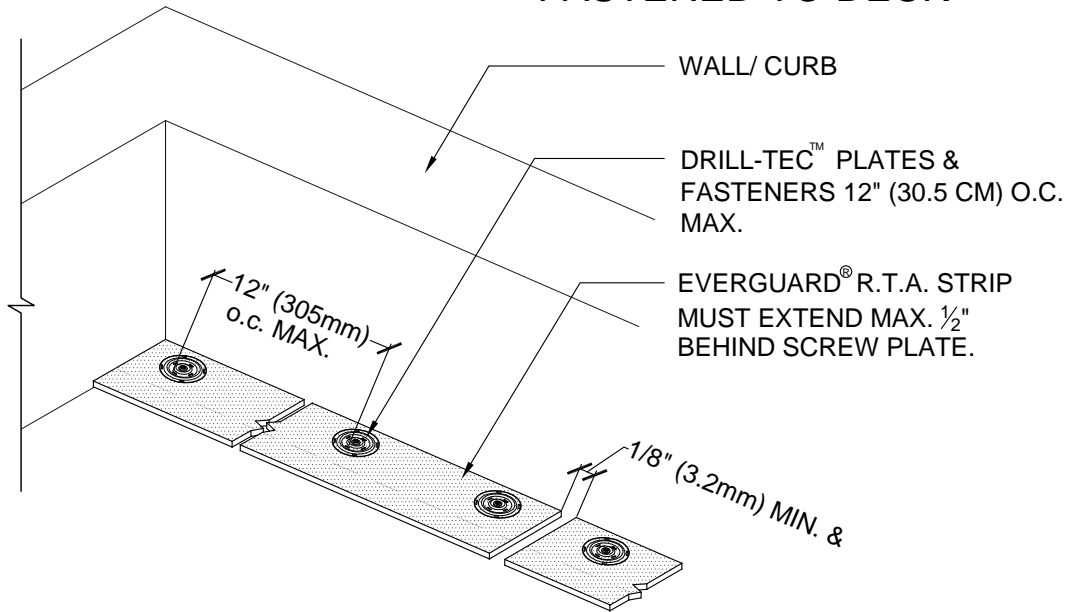


**FASTENED TO WALL/ CURB**



**FASTENED TO DECK**



**NOTE:**

1. R.T.A. STRIP MAY BE FIELD FABRICATED OUT OF EVERGUARD®FREEDOM MEMBRANE.
2. COMMON FASTENER ANCHORING THE OVERLAP OF THE TWO STRIPS IN THE CORNER



PARAPET WALL & CURB SERIES

**R.T.A. STRIP INSIDE CORNER REINFORCEMENT**

HEATWELD & RAPIDSEAM

DRAWING #  
**326A**

SCALE  
N.T.S.

SYSTEM  
**FD**

ISSUE/ REVISION DATE  
**3-1-10**