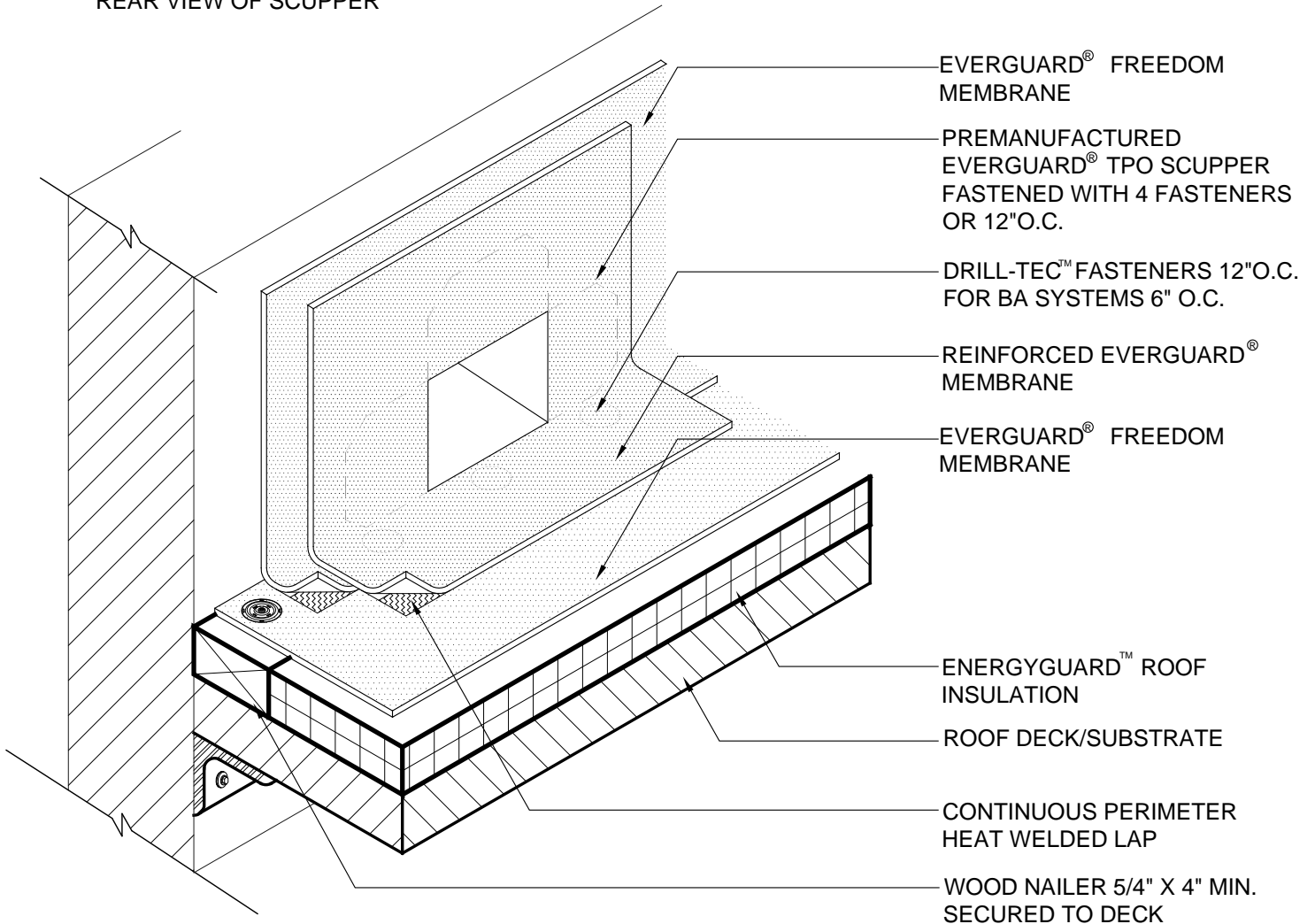


EVERGUARD® WATER BLOCK APPLIED BEFORE SCUPPER INSTALLATION

REAR VIEW OF SCUPPER



- EVERGUARD® FREEDOM MEMBRANE
- PREMANUFACTURED EVERGUARD® TPO SCUPPER FASTENED WITH 4 FASTENERS OR 12"O.C.
- DRILL-TEC™ FASTENERS 12"O.C. FOR BA SYSTEMS 6" O.C.
- REINFORCED EVERGUARD® MEMBRANE
- EVERGUARD® FREEDOM MEMBRANE
- ENERGYGUARD™ ROOF INSULATION
- ROOF DECK/SUBSTRATE
- CONTINUOUS PERIMETER HEAT WELDED LAP
- WOOD NAILER 5/4" X 4" MIN. SECURED TO DECK

NOTE:

1. DETAIL TO BE USED IN CONJUNCTION WITH STANDARD GUIDE SPECIFICATION CONTAINING REQUIREMENTS FOR NAILERS, INSULATION ETC.
2. TO MAKE A SEAM ON RAPID SEAM™ WITHOUT RAPID SEAM™ PRESENT, YOU MUST USE GAF CLEANER AS WELL AS EVERGUARD® TPO PRIMER TO PREP THE AREA.
3. APPLY EVERGUARD® TPO CUT EDGE SEALANT TO ALL CUT REINFORCED TPO EDGES (REFER TO DETAIL FD 115) AND ALL RS SEAMS.



PARAPET WALL & CURB SERIES

SCUPPER- PREMANUFACTURED

HEATWELD & RAPIDSEAM

DRAWING #

324

SCALE

N.T.S.

SYSTEM

FD

ISSUE/ REVISION DATE

3-1-10