

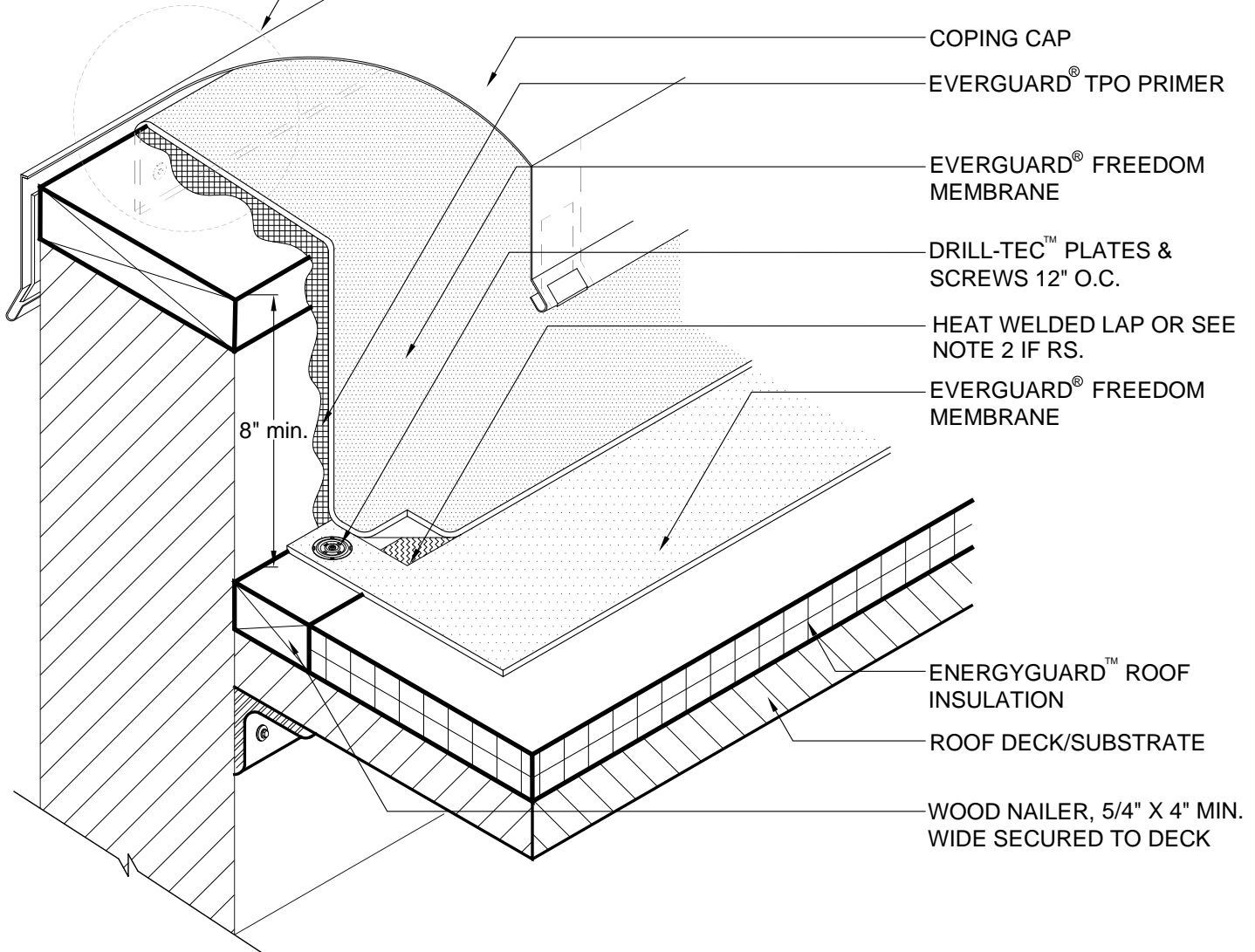
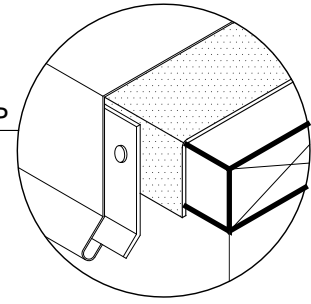
RAPID SEAM™ MAX 10 YR GUARANTEE

INTERMITTENT
FASTENING KEY

54" WITH FREEDOM
MEMBRANE

BACK SIDE

FASTEN CLIP
12" O.C.



COPING CAP

EVERGUARD® TPO PRIMER

EVERGUARD® FREEDOM
MEMBRANE

DRILL-TEC™ PLATES &
SCREWS 12" O.C.

HEAT WELDED LAP OR SEE
NOTE 2 IF RS.

EVERGUARD® FREEDOM
MEMBRANE

ENERGYGUARD™ ROOF
INSULATION

ROOF DECK/SUBSTRATE

WOOD NAILER, 5/4" X 4" MIN.
WIDE SECURED TO DECK

NOTE:

1. 54" MAX. DIMENSION FOR FREEDOM MEMBRANE UP WALL.
2. TO MAKE A SEAM ON RAPID SEAM™ WITHOUT RAPID SEAM™ PRESENT, YOU MUST USE GAF CLEANER AS WELL AS EVERGUARD® TPO PRIMER TO PREP THE AREA.
3. APPLY EVERGUARD® TPO CUT EDGE SEALANT TO ALL RAPID SEAM EDGES (REFER TO DETAIL FD 115).



PARAPET WALL
& CURB SERIES

NEW CONSTRUCTION WITH WALL CAP

HEATWELD & RAPIDSEAM

DRAWING #

303

SCALE

N.T.S.

SYSTEM

FD

ISSUE/ REVISION DATE

3-1-10