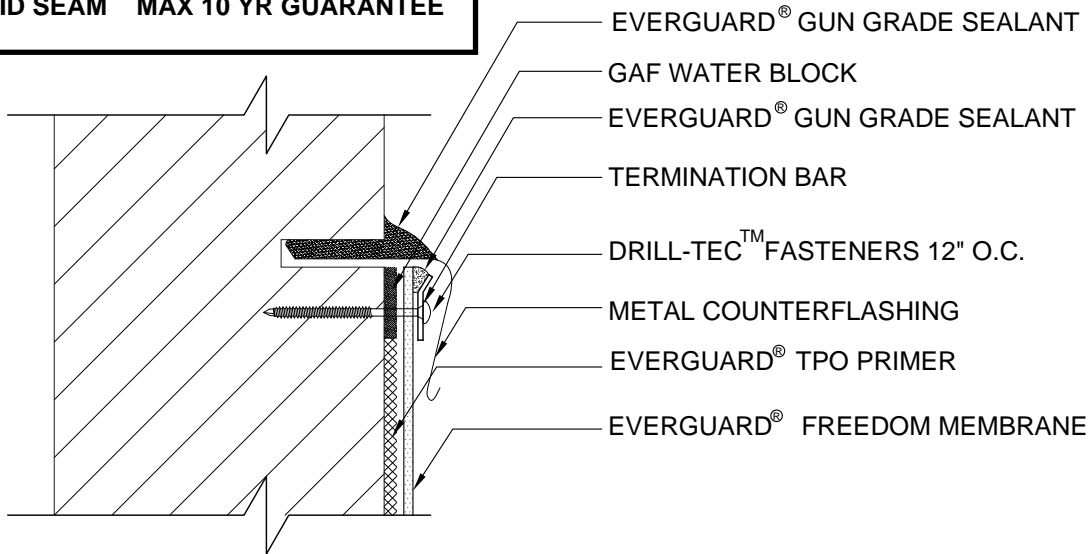
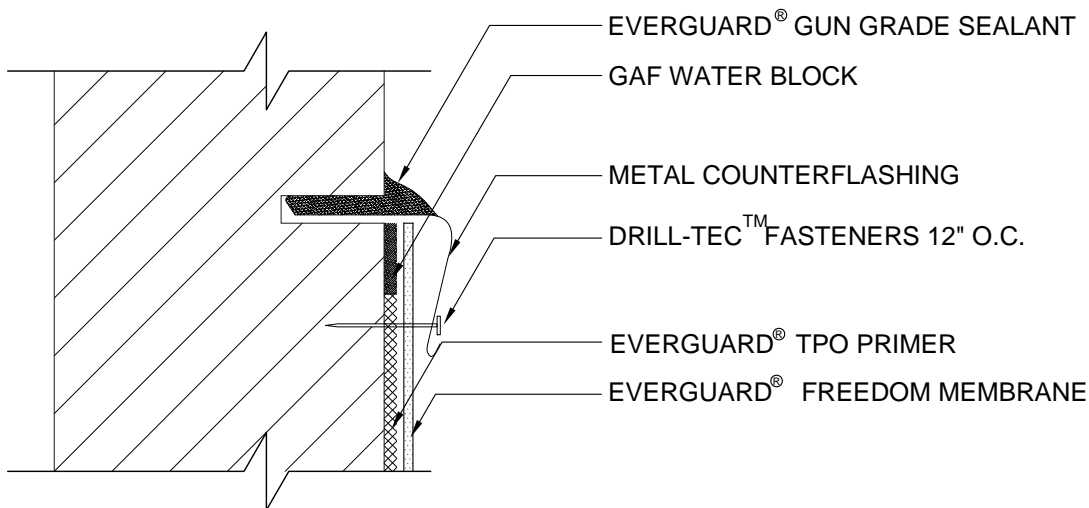


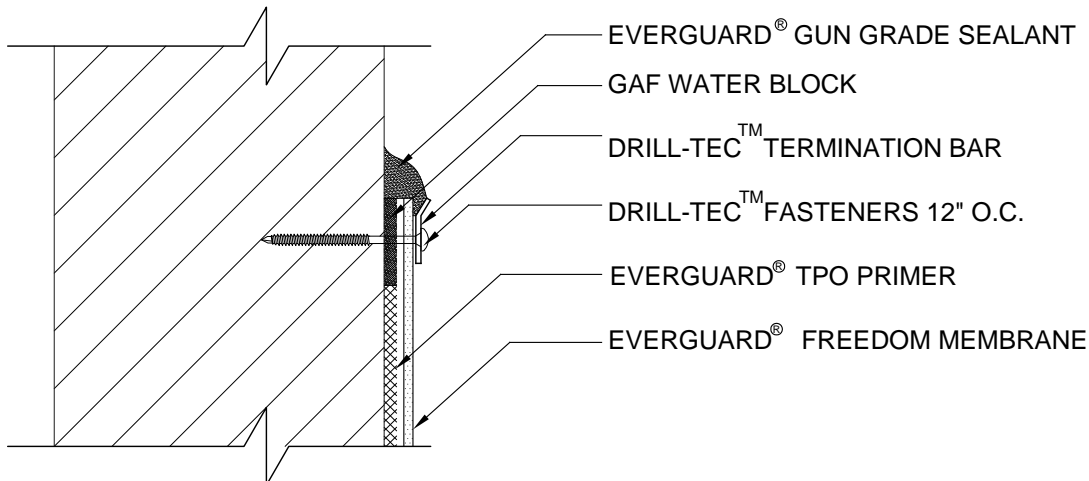
RAPID SEAM™ MAX 10 YR GUARANTEE



1. MECHANICAL TERMINATION



2. MECHANICAL TERMINATION



3. MECHANICAL TERMINATION



PARAPET WALL
& CURB SERIES

TERMINATIONS 1-3

HEATWELD & RAPIDSEAM

DRAWING #

318A

SCALE

N.T.S.

SYSTEM

FD

ISSUE/ REVISION DATE

3-1-10