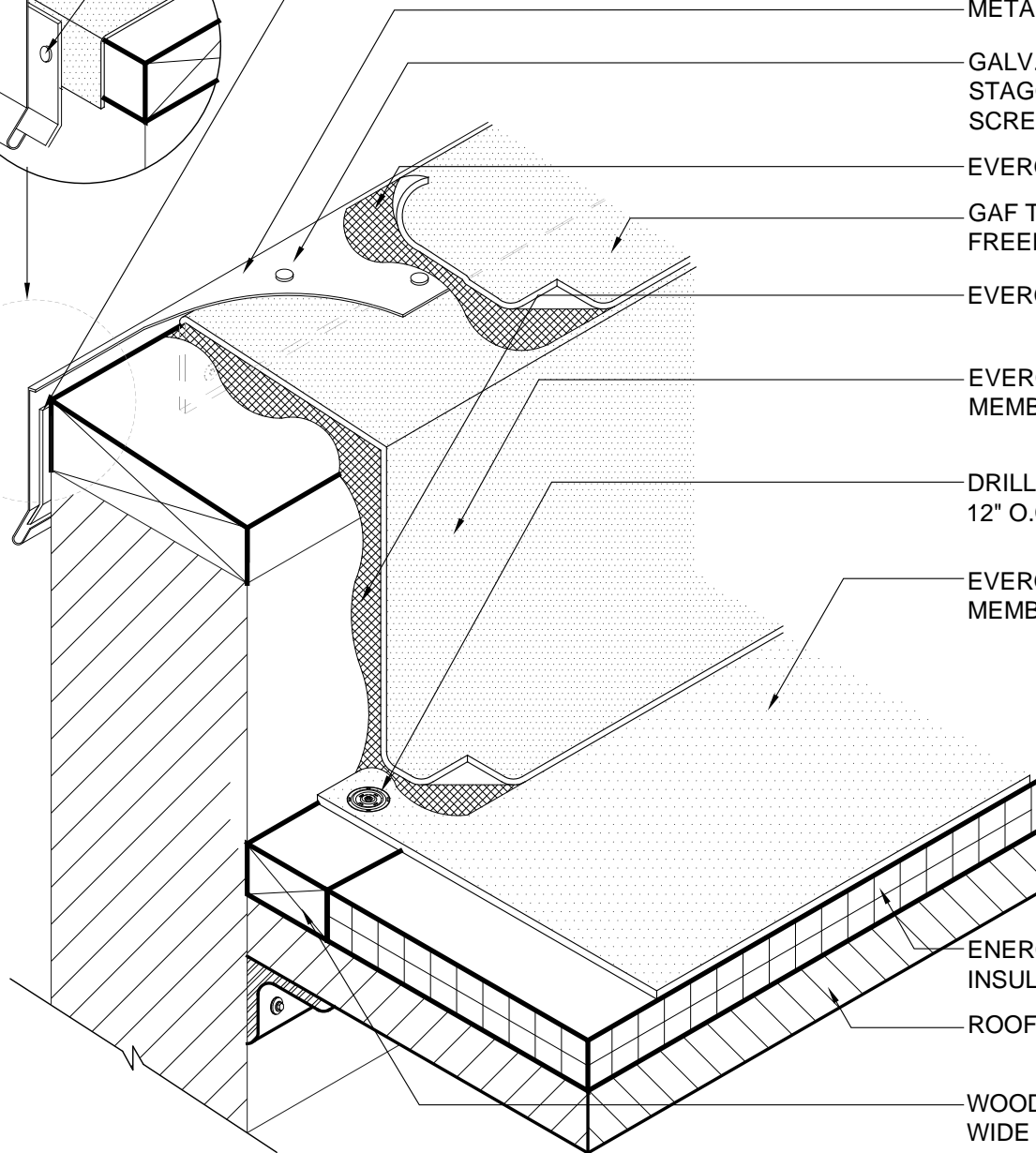
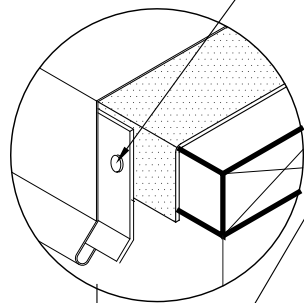


RAPID SEAM™ MAX 10 YR GUARANTEE



NAIL 12" O.C. W/ RING SHANK NAILS

24 GA. CONTINUOUS CLIP FASTENED 12" O.C. WITH DRILL-TEC™ FASTENERS

METAL COPING

GALV. METAL NAILED 4" O.C STAGGERED OR DRILL-TEC SCREWS 12" O.C.

EVERGUARD® TPO PRIMER

GAF TPO COVER TAPE OR 8" FREEDOM STRIPS

EVERGUARD® TPO PRIMER

EVERGUARD® FREEDOM MEMBRANE

DRILL-TEC™ PLATES & SCREWS 12" O.C.

EVERGUARD® FREEDOM MEMBRANE

ENERGYGUARD™ ROOF INSULATION

ROOF DECK/SUBSTRATE

WOOD NAILER, 5/4" X 4" MIN. WIDE SECURED TO DECK

NOTE:

1. TO MAKE A SEAM ON RAPID SEAM™ WITHOUT RAPID SEAM™ PRESENT, YOU MUST USE GAF CLEANER AS WELL AS EVERGUARD® TPO PRIMER TO PREP THE AREA.

2. APPLY EVERGUARD® TPO CUT EDGE SEALANT TO ALL RAPID SEAM EDGES (REFER TO DETAIL FD 115).



PARAPET WALL & CURB SERIES

WALL FLASHING WITH COATED METAL EDGE

RAPIDSEAM ONLY

DRAWING #

304

SCALE

N.T.S.

SYSTEM

FD

ISSUE/ REVISION DATE

3-1-10