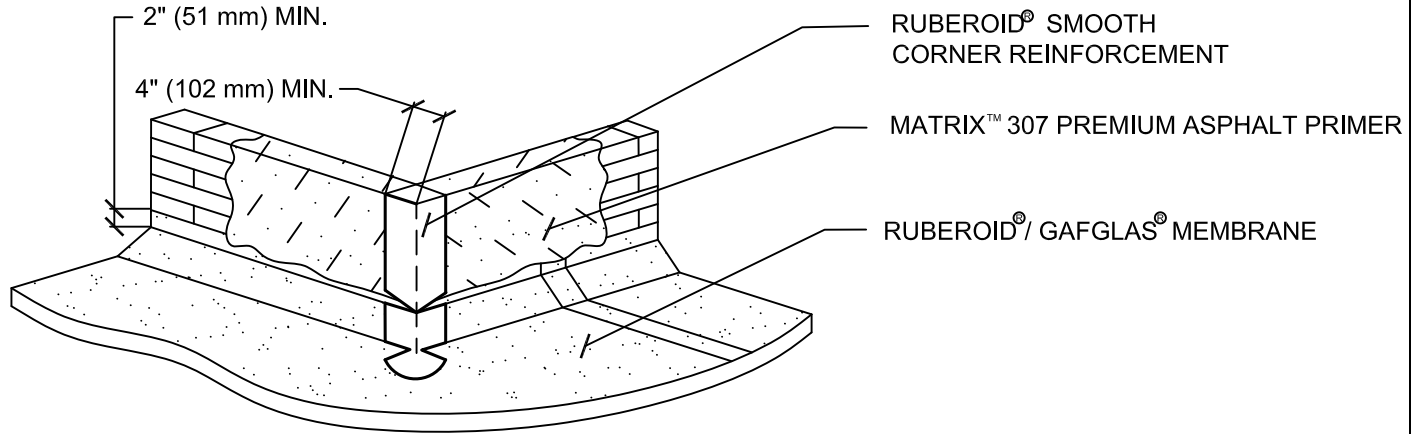
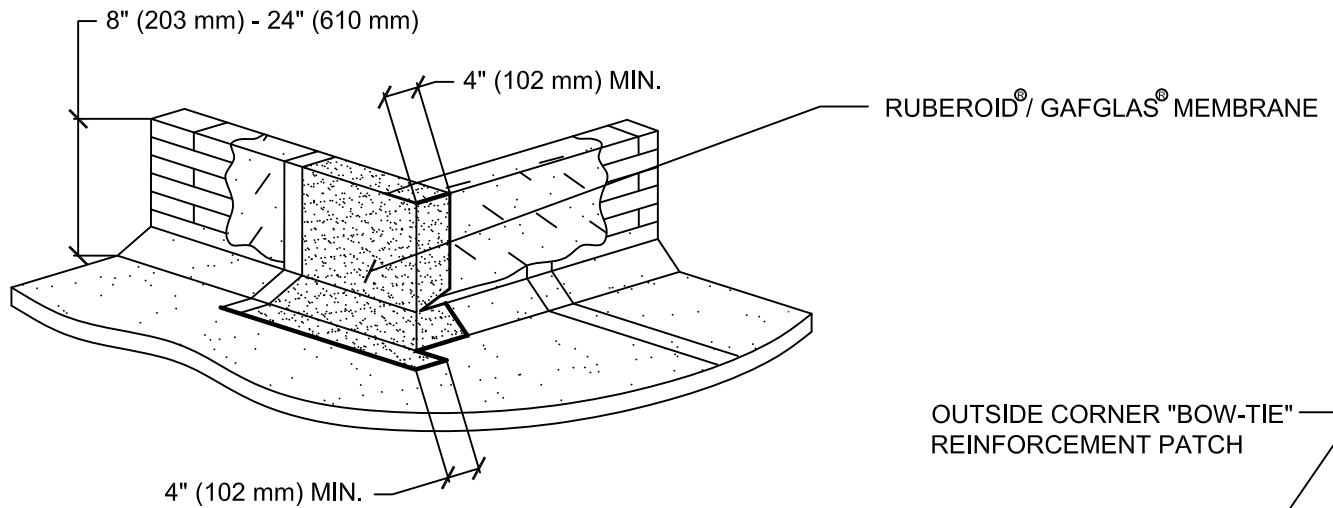


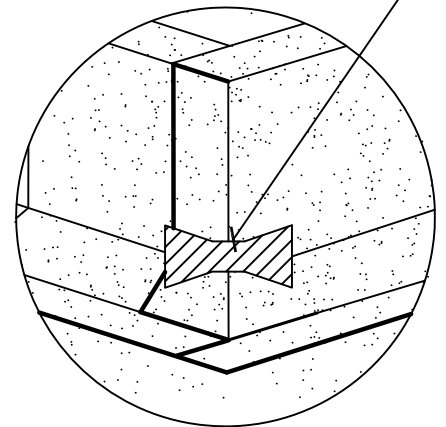
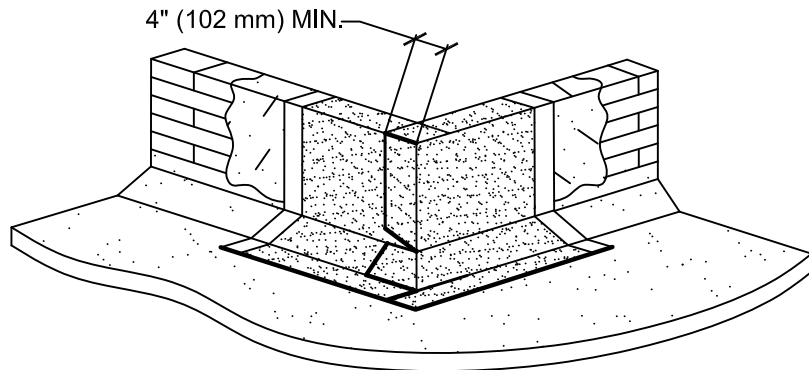
STEP 1:



STEP 2:



STEP 3:



GAFGLAS[®]
Built-Up Roofing Systems
RUBEROID[®]
Modified Bitumen Roofing Systems

OUTSIDE CORNER DETAIL

DRAWING #

12

SYSTEM

MB/BUR

WWW.GAF.COM
1 Campus Drive.
Parsippany, NJ
07054

SCALE

N.T.S.

ISSUE/ REVISION DATE

7-01-14