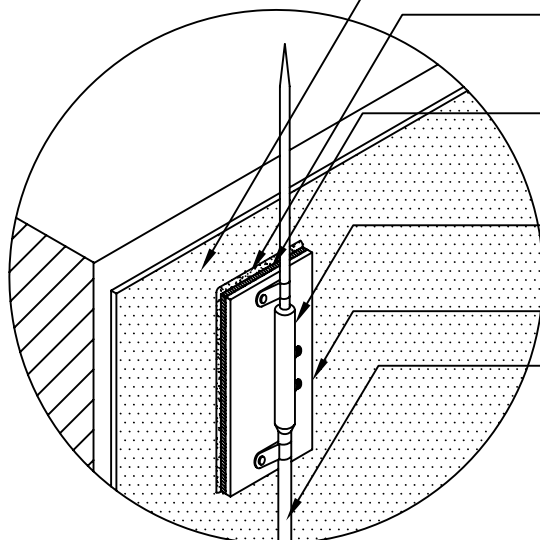


**DETAIL IS NOT
GUARANTEED**



ALTERNATE ROD WALL MOUNT

REINFORCED EVERGUARD®
MEMBRANE

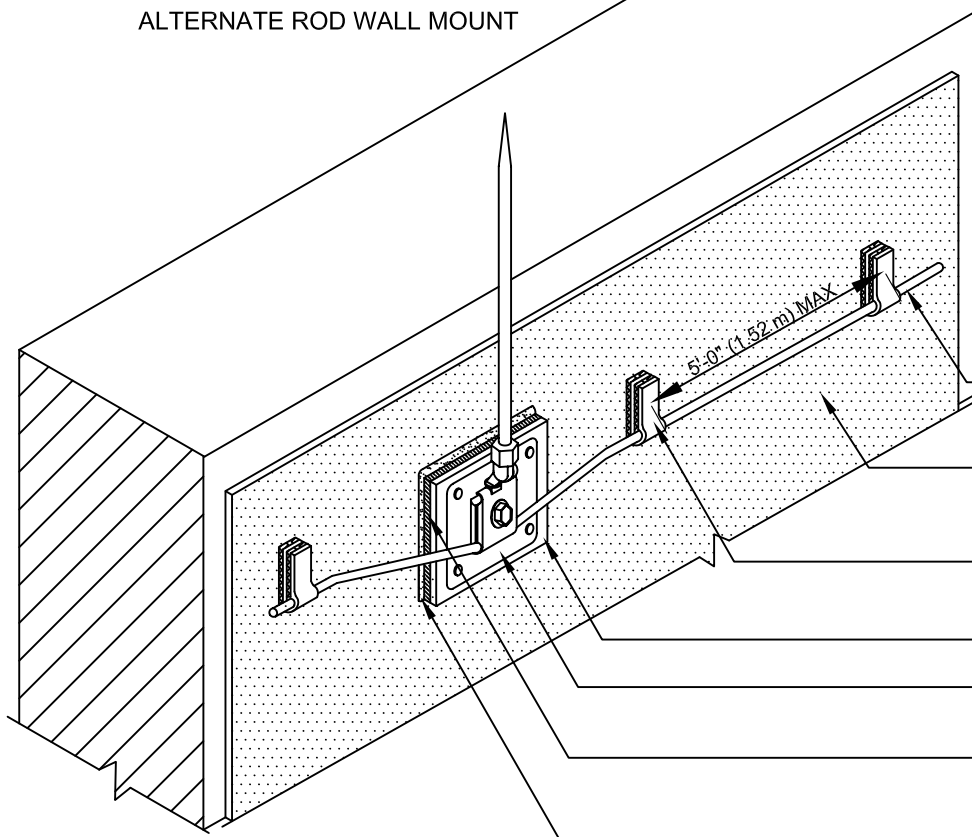
EVERGUARD® GUN-GRADE
SEALANT AROUND PLATE

EVERGUARD® WATER BLOCK
BETWEEN PLATE AND
FLASHING MEMBRANE

SIDE MOUNT LIGHTING ROD
HOLDER

SUPPORT PLATE

TWISTED COPPER OR
ALUMINUM CABLE



TWISTED COPPER OR
ALUMINUM CABLE

REINFORCED EVERGUARD®
MEMBRANE

REINFORCED MEMBRANE
STRAP HOT AIR WELDED TO
FLASHING

SUPPORT PLATE

SIDE MOUNT AIR TERMINAL
BASE

EVERGUARD® WATER BLOCK
BETWEEN PLATE AND
FLASHING MEMBRANE

EVERGUARD® GUN GRADE
SEALANT AROUND PLATE



EverGuard
SINGLE-PLY ROOFING SYSTEMS
ROOF PENETRATION
SERIES

DRAWING #

607

**LIGHTNING PROTECTION TERMINAL -
WALL MOUNT DETAIL**

THIS DETAIL APPLIES TO:

ALL SYSTEMS

www.gaf.com
1 Campus Drive,
Parsippany, NJ 07054

SCALE
N.T.S.

REVISION DATE
11-27-17