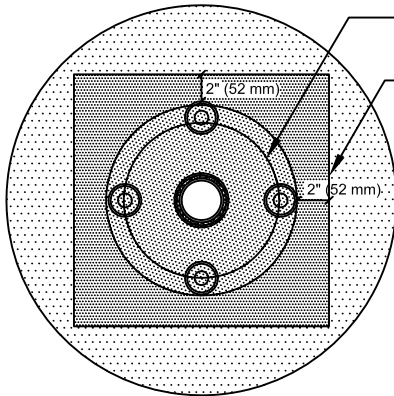
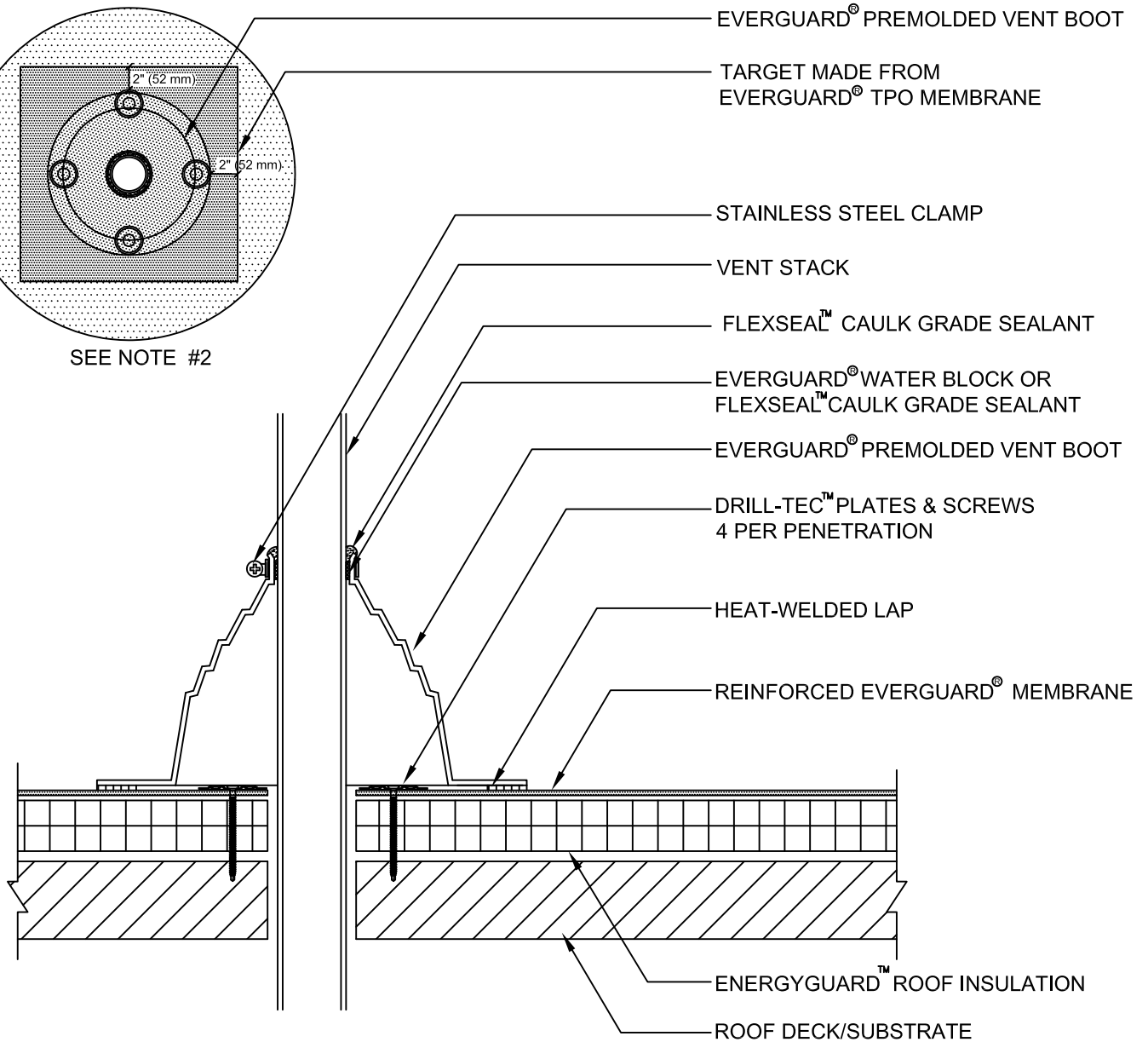


ALTERNATE INSTALLATION



SEE NOTE #2



NOTE:

1. DO NOT CUT SIDE OF PREMOLDED BOOT. IT MUST BE PULLED OVER VENT PIPE.
2. IF THE PLATES AND FASTENERS INTRUDE INTO BOOT FLANGE AREA, THEN A TARGET MUST FIRST BE INSTALLED OVER PLATES AND FASTENERS BEFORE BOOT INSTALLATION.
3. FOR INSULATION THICKNESS GREATER THAN 8" (203 mm), A HARD BOARD IS REQUIRED ON MECHANICAL SYSTEMS ONLY.
4. 25 YEAR GUARANTEES AND ABOVE MUST USE EXTREME ACCESSORIES
5. APPLY EVERGUARD® TPO CUT EDGE SEALANT TO ALL CUT REINFORCED TPO EDGES (REFER TO EVERGUARD® DETAIL 115).



www.gaf.com
1 Campus Drive,
Parsippany, NJ 07054

EverGuard
SINGLE-PLY ROOFING SYSTEMS
ROOF PENETRATION
SERIES

DRAWING #
506A

SCALE
N.T.S.

**PREMOLDED VENT BOOT
FLASHING DETAIL**

THIS DETAIL APPLIES TO:

ALL SYSTEMS

REVISION DATE
6-21-16