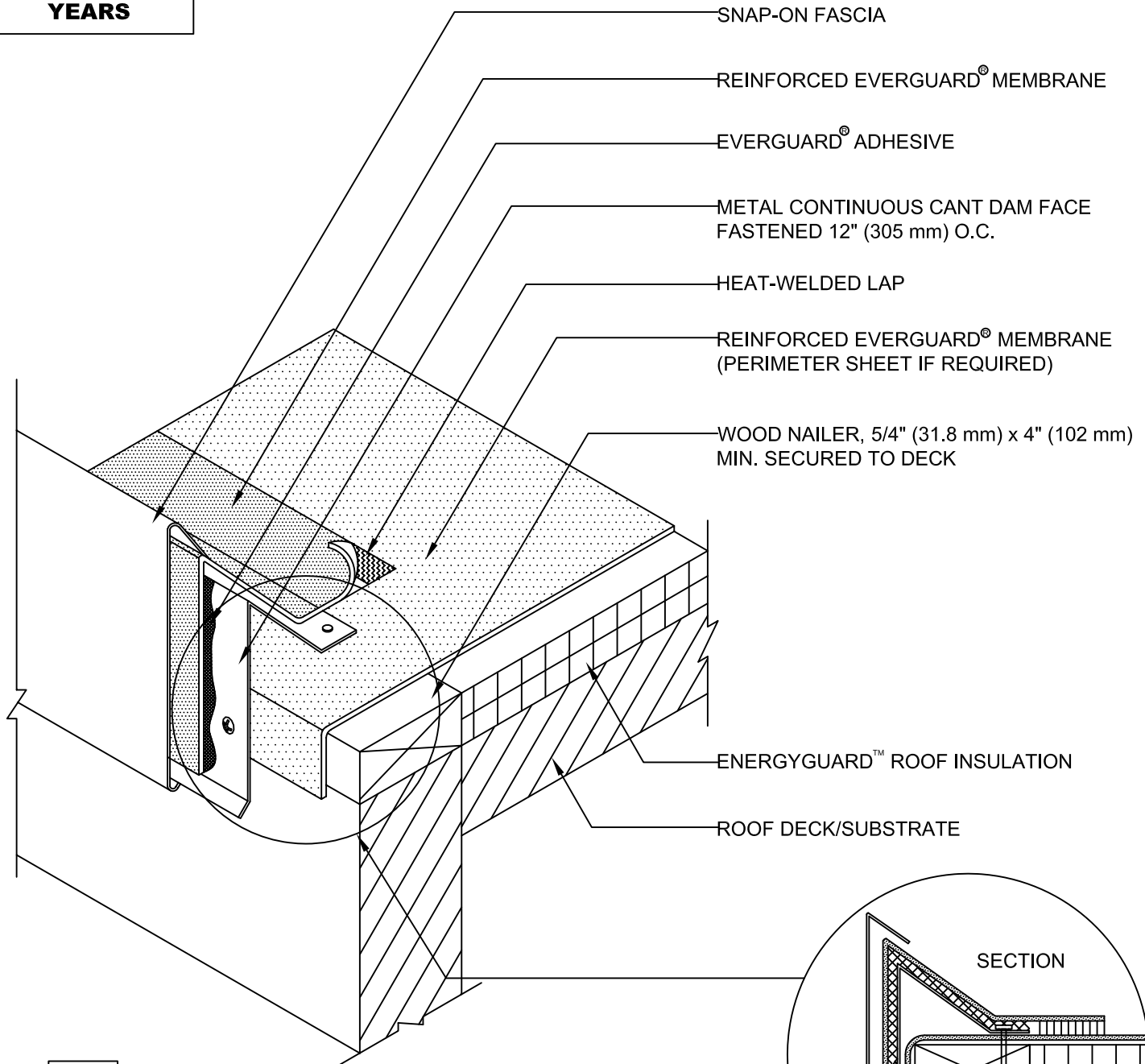
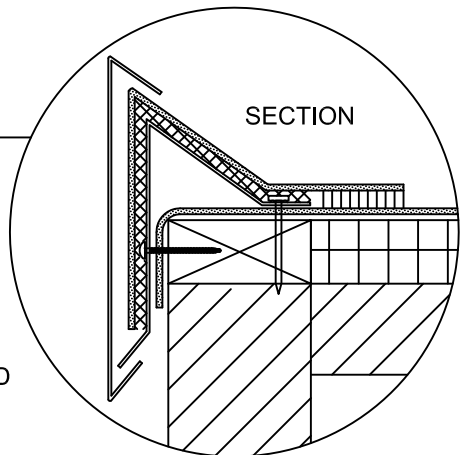


**FOR EXTENDED
WARRANTY 20+
YEARS**





- SNAP-ON FASCIA
- REINFORCED EVERGUARD® MEMBRANE
- EVERGUARD® ADHESIVE
- METAL CONTINUOUS CANT DAM FACE FASTENED 12" (305 mm) O.C.
- HEAT-WELDED LAP
- REINFORCED EVERGUARD® MEMBRANE (PERIMETER SHEET IF REQUIRED)
- WOOD NAILER, 5/4" (31.8 mm) x 4" (102 mm) MIN. SECURED TO DECK
- ENERGYGUARD™ ROOF INSULATION
- ROOF DECK/SUBSTRATE



NOTE:

1. ADD BALLAST PER SPECIFICATION FOR BALLASTED SYSTEMS. REFER TO APPROPRIATE DETAIL.
2. APPLY EVERGUARD® TPO CUT EDGE SEALANT TO ALL CUT REINFORCED TPO EDGES (REFER TO EVERGUARD® DETAIL 115).

 <p>www.gaf.com 1 Campus Drive, Parsippany, NJ 07054</p>	 <p>ROOF EDGE SERIES</p>	<p>DRAWING # 206</p> <p>SCALE N.T.S.</p>	<p>SNAP-ON FASCIA ROOF EDGE DETAIL - OPTION 2</p>	<p>THIS DETAIL APPLIES TO: Adhered Systems Ballasted Systems Mechanically Attached Systems Self-Adhered Systems (Heat-weld only) TriPosite Systems</p> <p>REVISION DATE 6-23-15</p>
---	---	---	--	---