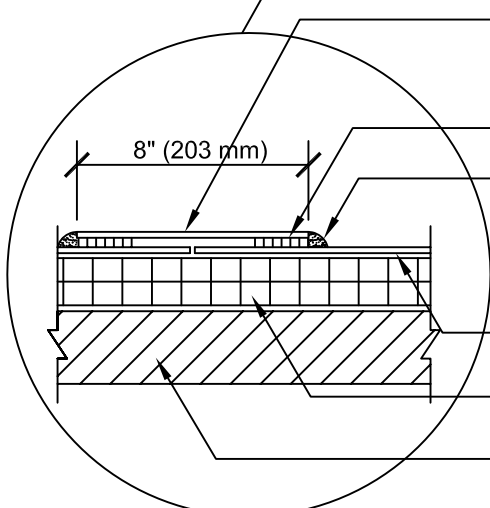
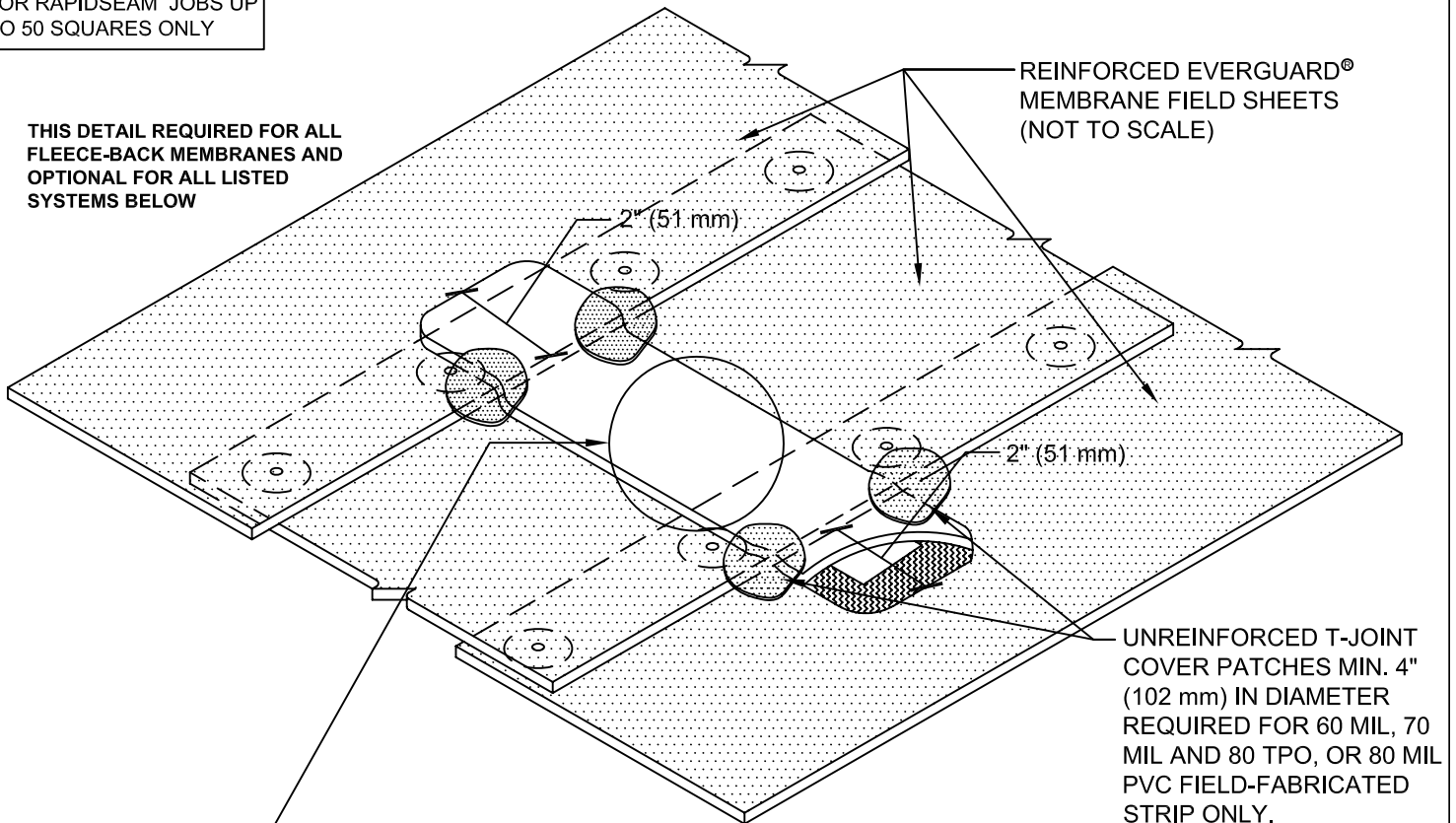


FOR RAPIDSEAM™ JOBS UP TO 50 SQUARES ONLY

THIS DETAIL REQUIRED FOR ALL FLEECE-BACK MEMBRANES AND OPTIONAL FOR ALL LISTED SYSTEMS BELOW



- EVERGUARD® TPO FLASHING STRIP ACCESSORY OR 8" (203 mm) WIDE REINFORCED EVERGUARD® MEMBRANE (EVERGUARD® COVER TAPE FOR RAPIDSEAM™ ONLY)
- HEAT-WELDED LAP (SEE NOTE #2)
- EVERGUARD® CUT EDGE SEALANT WITH TPO ONLY
- REINFORCED EVERGUARD® MEMBRANE
- ENERGYGUARD™ ROOF INSULATION
- ROOF DECK/SUBSTRATE

NOTE:

1. FOR INSULATION THICKNESS GREATER THAN 8" (203 mm), A HARD BOARD IS REQUIRED ON MECHANICAL SYSTEMS ONLY.
2. IN SELF-ADHERED SYSTEMS, MEMBRANE MUST BE PRIMED AND DRY PRIOR TO APPLYING 6" (152mm) DOUBLE SIDED TAPE.
3. APPLY EVERGUARD® TPO CUT EDGE SEALANT TO ALL CUT REINFORCED TPO EDGES (REFER TO EVERGUARD® DETAIL 115).

 <p>www.gaf.com 1 Campus Drive, Parsippany, NJ 07054</p>	 <p>FIELD OF ROOF SERIES</p>	DRAWING #	<h2 style="text-align: center;">COVER STRIP END LAP DETAIL</h2>	<p>THIS DETAIL APPLIES TO: Adhered Systems Self - Adhered Systems TriPosite Systems Mechanically Attached Systems</p>
		103		
		N.T.S.		6-20-16