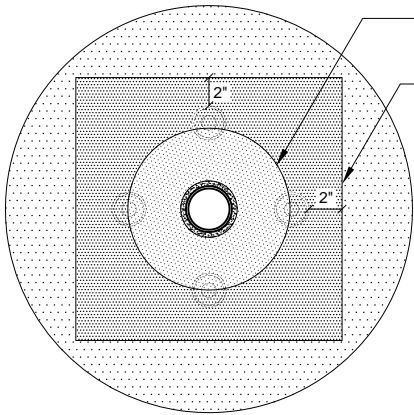


ALTERNATE INSTALLATION



SEE NOTE #2

EVERGUARD® PREMOLDED PVC BOOT

TARGET MADE FROM EVERGUARD® PVC MEMBRANE

STAINLESS STEEL CLAMP

VENT STACK

EVERGUARD® GUN GRADE SEALANT

GAF WATER BLOCK

EVERGUARD® PREMOLDED PVC BOOT

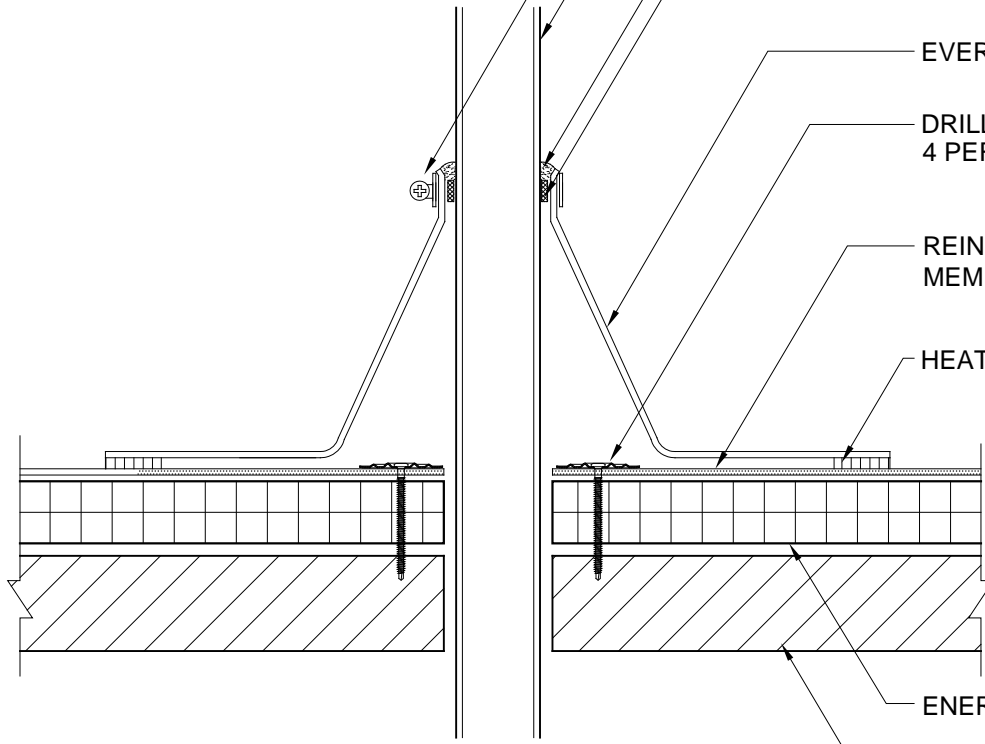
DRILL-TEC™ PLATES & SCREWS  
4 PER STACK

REINFORCED EVERGUARD® PVC  
MEMBRANE

HEAT WELDED LAP

ENERGYGUARD™ ROOF INSULATION

ROOF DECK/SUBSTRATE



NOTE:

1. IF THE PLATES AND FASTENERS INTRUDE INTO BOOT FLANGE AREA, THEN A TARGET MUST FIRST BE INSTALLED OVER PLATES AND FASTENERS BEFORE BOOT INSTALLATION.
2. APPLY EVERGUARD® PVC CUT EDGE SEALANT TO ALL CUT REINFORCED PVC EDGES OF TARGET IF USED ( REFER TO DETAIL MA/FA/BA 115 ).



**EverGuard**  
SINGLE-PLY ROOFING SYSTEMS

ROOF PENETRATION  
SERIES

**PREMOLDED PENETRATION FLASHING**

PVC ONLY

DRAWING #  
**506B**

SCALE  
N.T.S.

SYSTEM  
**MA/FA/BA**

ISSUE/ REVISION DATE  
9-01-09