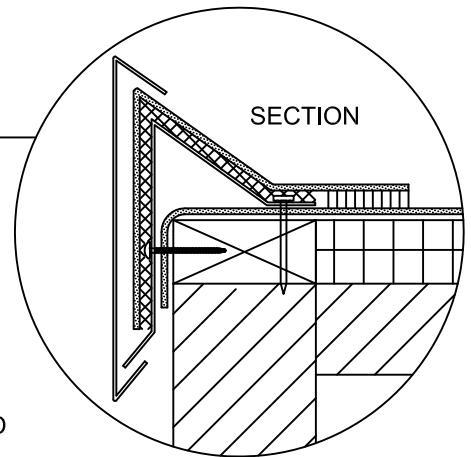


NOTE:

1. FOR INSULATION THICKNESS GREATER THAN 8" (203 mm), A HARD BOARD IS REQUIRED ON MECHANICALLY FASTENED SYSTEMS ONLY.
2. APPLY EVERGUARD® TPO CUT EDGE SEALANT TO ALL CUT REINFORCED TPO EDGES (REFER TO EVERGUARD® DETAIL 115).



EverGuard
SINGLE-PLY ROOFING SYSTEMS
ROOF EDGE SERIES

DRAWING #

206

**SNAP-ON FASCIA ROOF
EDGE DETAIL - OPTION 2**

THIS DETAIL APPLIES TO:

- Adhered Systems
- Ballasted Systems
- Mechanically Attached Systems
- Self-Adhered Systems (Heat-weld only)
- TriPosite Systems

www.gaf.com
1 Campus Drive,
 Parsippany, NJ 07054

SCALE
N.T.S.

REVISION DATE
5-1-16