



GAF MATERIALS CORPORATION

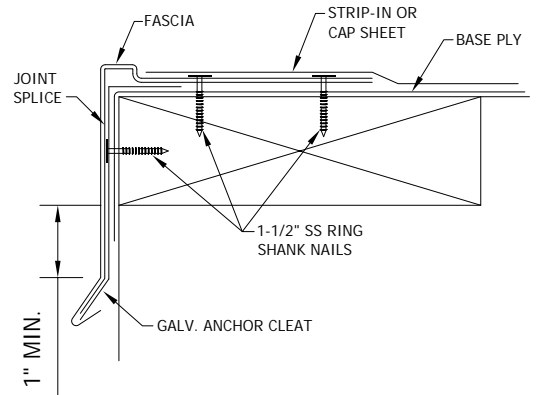
Installation Guide for M-Weld Gravel Stop MB Fascia B

(For Built Up or Modified Roofs)



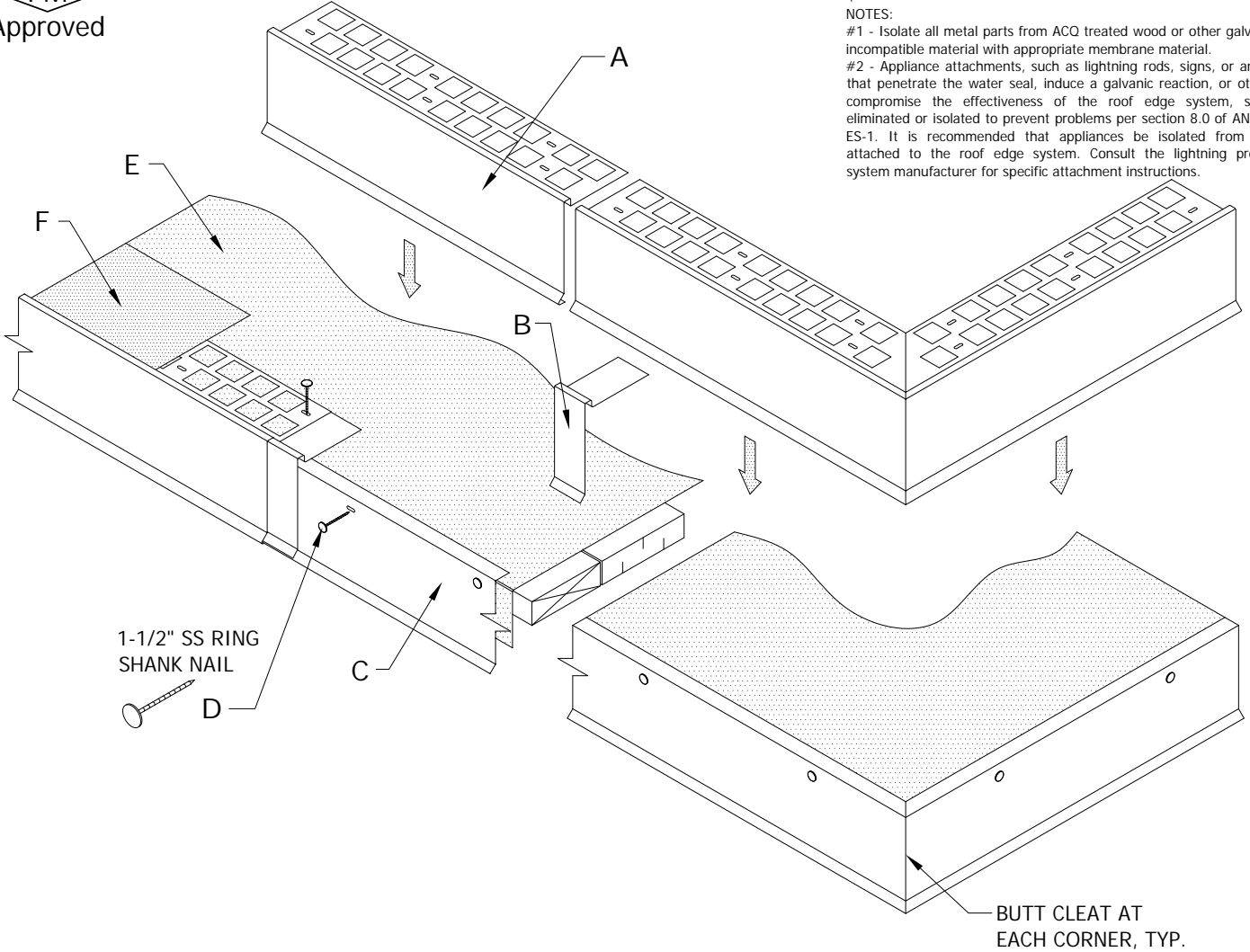
ANSI/SPRI ES-1 TESTED

Approved



NOTES:

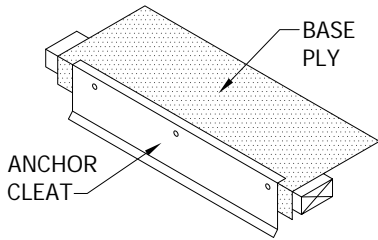
#1 - Isolate all metal parts from ACQ treated wood or other galvanically incompatible material with appropriate membrane material.
#2 - Appliance attachments, such as lightning rods, signs, or antennae that penetrate the water seal, induce a galvanic reaction, or otherwise compromise the effectiveness of the roof edge system, shall be eliminated or isolated to prevent problems per section 8.0 of ANSI/SPRI ES-1. It is recommended that appliances be isolated from or not attached to the roof edge system. Consult the lightning protection system manufacturer for specific attachment instructions.



- A. Formed Fascia Cover
10'-0" Lengths
- B. Concealed Joint Splice
4" Lengths
- C. Galvanized Steel Anchor Cleat
10'-0" Lengths

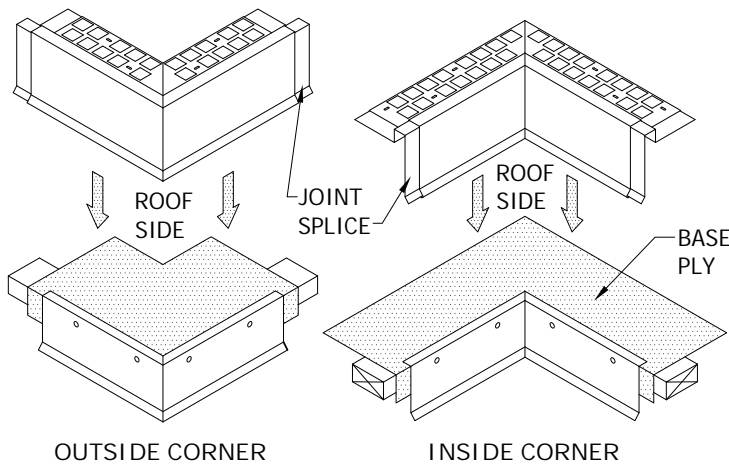
- D. 1-1/2" SS Ring Shank Nail
at 12" o.c. (6" from ends)
(Provided & Required by Manufacturer)
- E. Base Ply
(By Installer)
- F. Strip-In or Cap Sheet
(By Installer)

GAF MATERIALS CORPORATION
1361 Alps Road - Wayne, New Jersey 07470 - Phone: (973) 628-3000
www.gaf.com



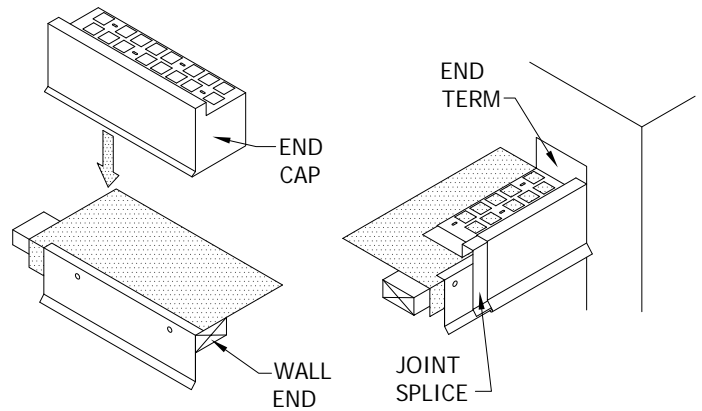
STEP 1: Installing Anchor Cleat

Place the top lip of the continuous anchor cleat squarely on the top edge of the base ply and treated wood nailing plate. Press cleats securely in position and nail through the pre-punched holes with 1-1/2" ss ring shank nails provided. Install anchor cleats by butting cleats at each corner. For miter application, fit into corner as required to maintain a continuous anchor cleat line. Then nail at a min. 6" on center in each direction from the corner or closer at special conditions.



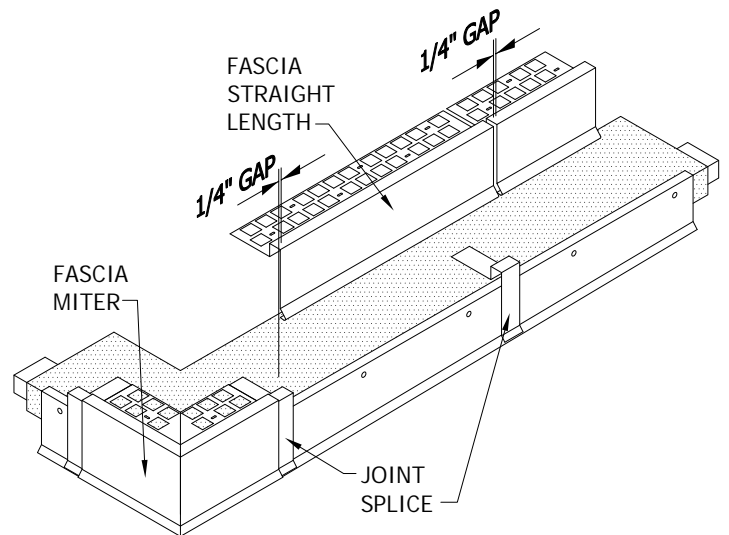
STEP 2: Installing Fascia Miters

Locate the miters and concealed joint splices for the appropriate corners. Place a concealed joint splice under each end of the miter sections. Install the miter by hooking the drip of the fascia miter onto the drip of the cleat and rotate back onto the roof. Fasten with 1-1/2" ss ring shank nails provided in pre-punched holes.



STEP 3: Installing Fascia End Caps and End Terms

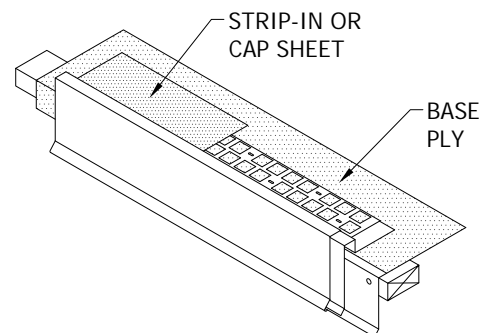
Install the fascia end caps and end terms by hooking the drip of the fascia onto the drip of the cleat and rotate back onto the roof. Fasten with 1-1/2" ss ring shank nails provided in pre-punched holes.



STEP 4: Installing Fascia Straight Lengths

Place a concealed joint splice in the opposite end of the installed miter or end cap. Install the fascia by hooking the drip of the fascia onto the drip of the cleat and rotate back onto the roof. Fasten with 1-1/2" ss ring shank nails provided in pre-punched holes. Allow a 1/4" gap between fascia sections for thermal expansion. Lengths of all straight pieces should be considered prior to cutting to avoid creating relatively short sections of fascia adjacent to full length sections.

Note: there should be a joint splice at every joint.



STEP 5: Installing Strip-In or Cap Sheet

Install strip-in ply or cap sheet per roofing manufacturer's instructions.